

GARMIN®

FORCE® KRAKEN TROLLING MOTOR INSTALLATION INSTRUCTIONS

Getting Started

⚠ WARNING

See the *Important Safety and Product Information* guide in the product box for product warnings and other important information.

Failure to install this device according to these instructions could result in personal injury, damage to the vessel or device, or poor product performance.

Failure to follow these warnings, cautions, and notices could result in personal injury, damage to the vessel or device, or poor product performance.

Do not run the motor when the propeller is out of the water. Contact with the rotating propeller may result in severe injury.

Do not use the motor in areas where you or other people in the water may come into contact with the rotating propeller.

Always disconnect the motor from the battery before cleaning or servicing the propeller to avoid injury.

⚠ CAUTION

For the best possible performance and to avoid potential injury, damage to the device, or damage to your vessel, installation by a qualified marine installer is recommended.

To avoid possible personal injury, always wear safety goggles, ear protection, and a dust mask when drilling, cutting, or sanding.

When stowing or deploying the motor, be aware of the risk of entrapment or pinching from moving parts, which can result in injury.

When stowing or deploying the motor, be aware of slick surfaces around the motor. Slipping when stowing or deploying the motor may result in injury.

NOTICE

When drilling or cutting, always check what is on the opposite side of the surface to avoid damaging the vessel.

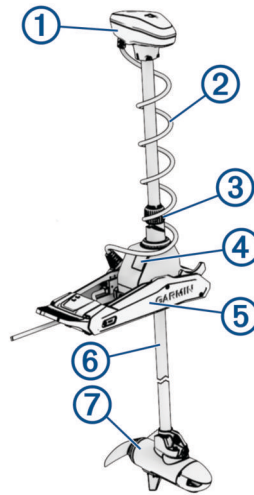
Tools and Supplies Needed

- Drill and a $\frac{5}{16}$ in. (8 mm) drill bit
- #2 Phillips screwdriver
- 4 mm hex bit or wrench
- $\frac{9}{16}$ in. (14 mm) socket
- Torque wrench
- Circuit breaker rated for continuous 60 A
- Trolling motor plug and receptacle rated for 60 A or greater (optional)
- 6, 4, or 2 AWG (16, 25, or 35 mm²) wire for extended runs of the power cable
- Solder and heat-shrink tubing, if extending the power cable
- Stainless steel pan head $\frac{1}{4}$ -20 (M6x1) bolts (if the included bolts are not long enough to mount the motor to the deck)



Installation Preparation

Device Overview

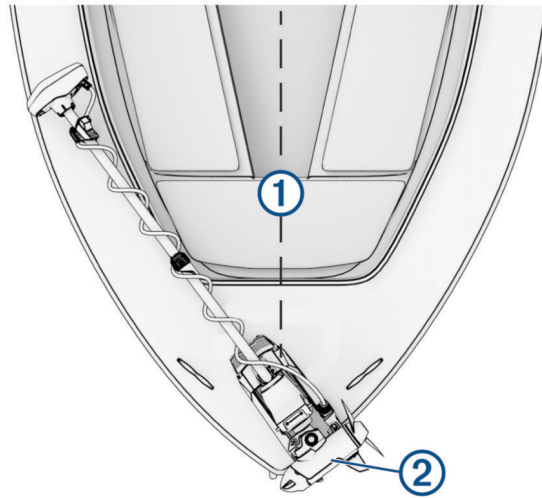


①	Shaft cap
②	Power and transducer cables
③	Depth-adjustment collar
④	Steering system
⑤	Mount
⑥	Shaft
⑦	Propeller drive motor

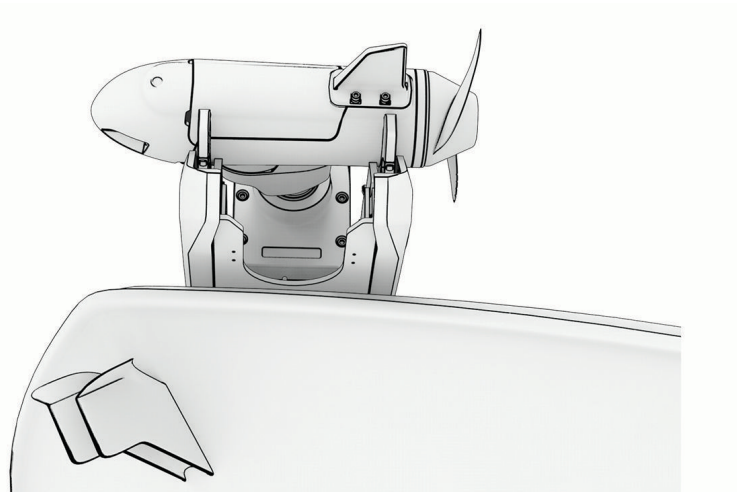
Mounting Considerations

When selecting a mounting location, observe these considerations.

- You must install the motor on the bow of your boat.
- You should install the mount so the deployed motor is as close to the centerline of the boat ① as possible.



- You must install the mount with the top of the cutout ② overhanging the gunwale of the boat. The U shape should extend over the side of the boat.



- The motor secures to the deck of the boat using bolts, so you must have room to secure the mount from the underside using washers and nuts.
- The motor must have clearance to move from the deployed to the stowed position and back again, so the installation location must be clear of obstacles.
- Verify that the deck is strong enough for the weight and force of the trolling motor. Use a backing plate or reinforce the boat if needed.

Connection Considerations

When making the wiring connections, observe the following considerations.

- You must connect the trolling motor to a 24 or 36 Vdc battery bank capable of supplying 60 A continuously.
- You must connect to the power source through a circuit breaker rated for continuous 60 A (not included).
- If necessary, you can extend the power cable using the appropriate wire gauge based on the length of the extension (*Power Cable Extension, page 7*).
- For convenience, you can install a trolling motor plug and receptacle rated for 60 A or greater (not included) in the bulkhead to make it easier to disconnect the motor from the power source.

Installation Procedures

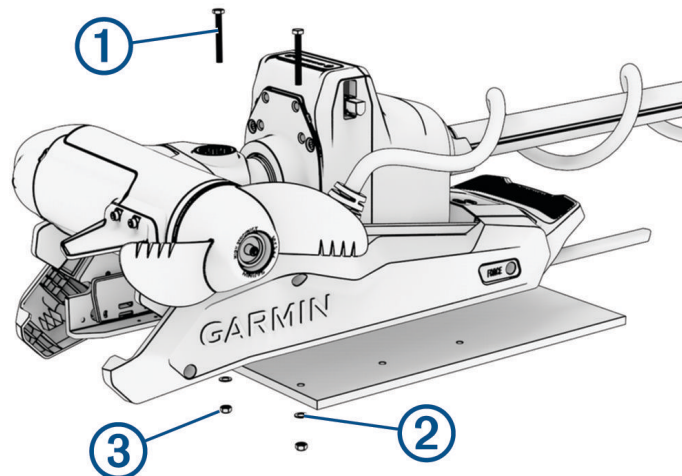
NOTICE

When assembling the motor, you must use hand tools to install all of the parts, observing the torque specifications when provided. Using power tools to assemble the motor may damage the components, and voids the warranty.

Installing the Motor on the Deck

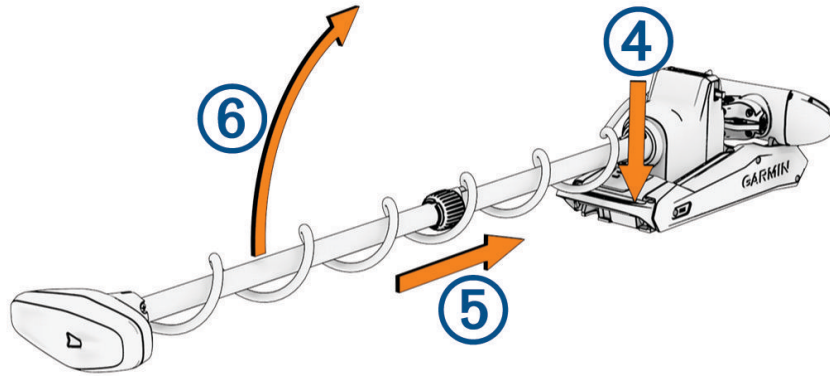
NOTE: If the supplied bolts are not long enough for the mounting surface, you must obtain the appropriate length stainless steel pan head $\frac{1}{4}$ in. -20 (M6x1) bolts.

- 1 Select a mounting location on the bow of your boat, according to the mounting considerations.
- 2 Place the included mounting template on the mounting location with the mount on the template overhanging the gunwale or the edge of the boat deck.
- 3 Mark the mounting hole locations on the boat deck.
- 4 Using a $\frac{5}{16}$ in. (8 mm) drill bit, drill the mounting holes.
- 5 Place the motor on the boat deck, aligning the holes on the mount with the mounting holes.
- 6 Secure the mount to the deck using the included bolts ①, washers ②, and locking nuts ③ in the two holes closest to the gunwale or edge of the boat deck.

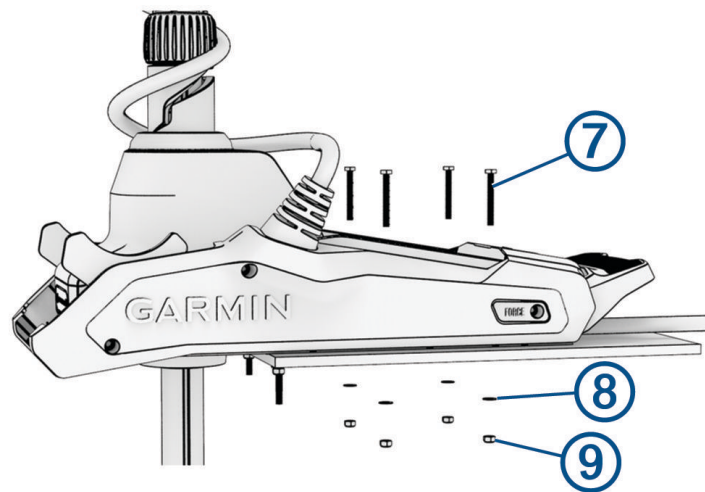


- 7 Adjust the depth stop so that the motor can deploy without hitting the ground.

- 8 Press the release (4), slide the propeller drive motor head out (5), and gently pivot the trolling motor into the deployed position (6).



- 9 Secure the mount to the deck using the included bolts (7), washers (8), and locking nuts (9) in the remaining holes.

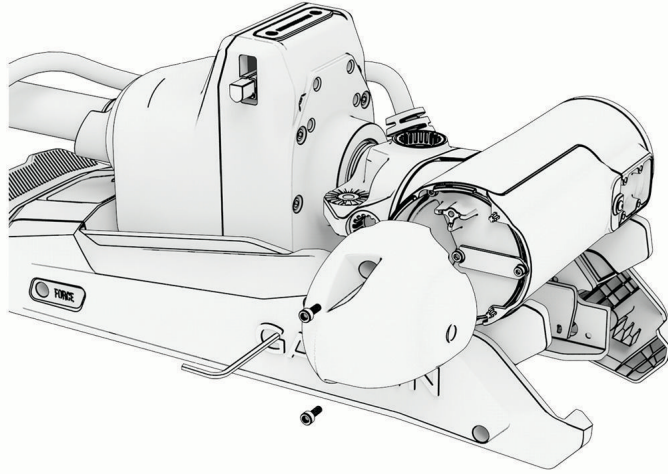


- 10 Tighten the nuts to a torque of 10.85 N-m (8 lbf-ft.).

Installing the Nose Cone

NOTE: Most models come fully assembled. This procedure is only required for the 90-inch Force Kraken Trolling Motor.

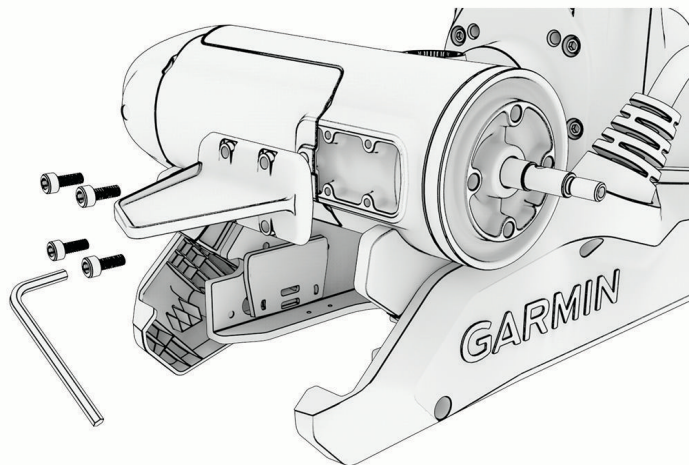
Using a 4 mm hex bit or wrench, secure the nose cone to the front of the propeller drive motor using the two included screws, ensuring the tab is on the bottom.



Installing the Skeg

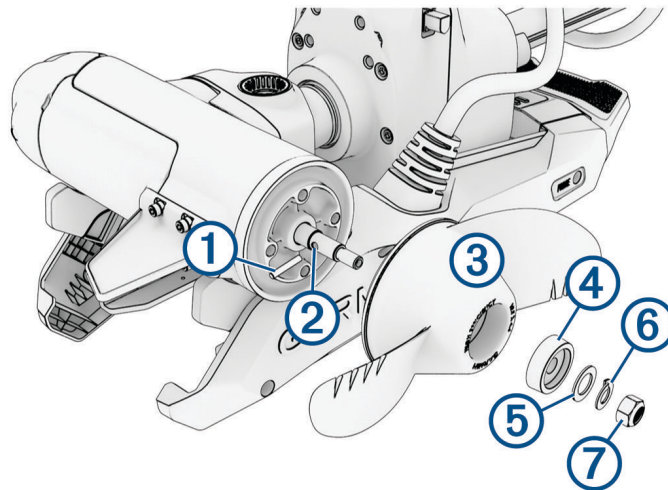
NOTE: Most models come fully assembled. This procedure is only required for the 90-inch Force Kraken Trolling Motor.

Using a 4 mm hex bit or wrench, secure the skeg to the propeller drive motor using the four included screws, ensuring the longer end of the skeg faces the propeller side.



Installing the Propeller

- 1 Insert the pin ① through the propeller motor shaft ②.



- 2 If necessary, rotate the motor shaft to orient the pin horizontally so it is less likely to fall out during installation.
- 3 Align the channel on the inside of the propeller ③ with the pin, and slide the propeller onto the motor shaft.
- 4 Place the anode ④, washer ⑤, lock washer ⑥, and nut ⑦ onto the end of the motor shaft.
- 5 Using a $\frac{9}{16}$ in. (14 mm) socket, tighten the lock nut to 6 lbf-ft (8.13 N-m) to secure the propeller.

Connecting to Power

⚠ WARNING

To avoid possible personal injury or property damage, the circuit breaker must be in the off position before you connect the power cables from the trolling motor.

- 1 Route the power cable to the breaker panel or the location where you plan to install the breaker.
- 2 If necessary, extend the power cable using the appropriate wire gauge based on the length of the extension (*Power Cable Extension, page 7*) using solder and heat-shrink tubing.
- 3 Install a trolling motor plug and receptacle rated for 60 A or greater where the power cable enters a bulkhead (optional).
- 4 Connect the power cable to a circuit breaker rated for 60 A (continuous).
- 5 If necessary, connect the circuit breaker to a 60 A, 24 or 36 Vdc power source.

Power Cable Extension

You can extend the power cable using the appropriate gauge of wire based on the length of the extension.

NOTICE

Power cable extensions must use single-conductor wire, with a minimum 75°C (167°F) insulation, that is not bundled, not sheathed, and not run through conduit. If you are using wire with 105°C (221°F) insulation or better, you can bundle up to three conductors inside a sheath or conduit outside of engine spaces.

When installing the power cable extension, you must follow industry standards and best practices.

Extension length	Minimum wire gauge	Optimal wire gauge
0 to 3 m (0 to 10 ft.)	6 AWG (16 mm ²)	6 AWG (16 mm ²)
3 to 4.6 m (10 to 20 ft.)	6 AWG (16 mm ²)	4 AWG (25 mm ²)
4.6 to 9.1 m (20 to 30 ft.)	6 AWG (16 mm ²)	2 AWG (35 mm ²)

Connecting the Transducer to a Chartplotter

Select Force Kraken Trolling Motor models include a built-in transducer. If your model does not include a transducer, you must install one before you can connect it to a compatible chartplotter. The built-in 12-pin transducer is compatible with select Garmin® chartplotter models. Go to garmin.com or contact your Garmin dealer for more information.

- 1 Route the transducer cable to the installed chartplotter. If necessary, connect the included extension cable or a longer extension cable.
- 2 Install the locking collar on the end of the transducer cable.
- 3 Connect the transducer cable to the transducer port on the back of the chartplotter.
You can refer to the instructions provided with your chartplotter to identify the transducer port.

Stabilizer Installation

The stabilizer is an optional accessory that can help stabilize and provide additional support for the trolling motor when it is in the stowed position.

NOTICE

If you can press down on the shaft when the motor is docked and the shaft cap makes contact with the vessel, you should install a stabilizer to reduce the risk of damage to the vessel or the trolling motor while trailering or operating in rough conditions.

NOTE: A stabilizer is only included with the Force Kraken Trolling Motor 90" model.
Installation instructions for the stabilizer are provided in the stabilizer box.

Remote Control Installation

The remote control connects to the trolling motor wirelessly and is paired at the factory.
Operation instructions are included in the *Force Kraken Trolling Motor Quick Start Manual*.

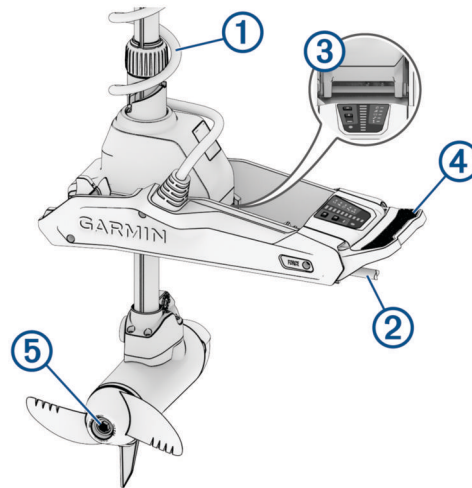
Maintenance Needs and Schedule

NOTICE

After using the motor in salt water or brackish water, you must rinse off the entire motor with fresh water, and apply a water-based silicone spray using a soft cloth. You should avoid spraying jets of water at the cap on the top of the shaft when rinsing the motor.

To maintain your warranty, you must perform a series of routine maintenance tasks as you prepare your motor for the season. If you use or transport the motor in dry, dusty environments (traveling on gravel roads, for example) you should perform these tasks more often during the season.

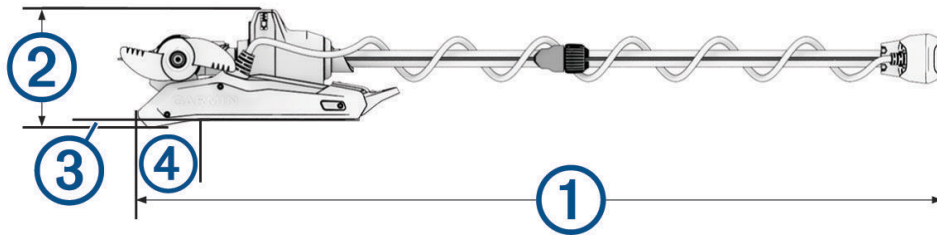
For detailed procedures and information on service and replacement parts, go to garmin.com/manuals/kraken_trolling_motor to download the *Force Kraken Trolling Motor Maintenance Manual*.



- Examine the coil cable ① for wear, and replace it as necessary.
- Check and clean the power cables ②.
- Lubricate the hinge ③ with marine grade grease.
- Clean and lubricate the stow and deploy latch pedal ④ and latch bar.
- Clean or replace the anodes ⑤ in the propeller drive motor.
- Remove entangled fishing line and other obstructions from the propeller.

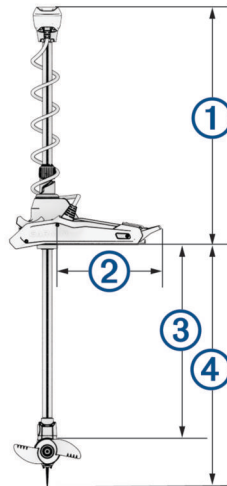
Motor Information

Stowed Dimensions

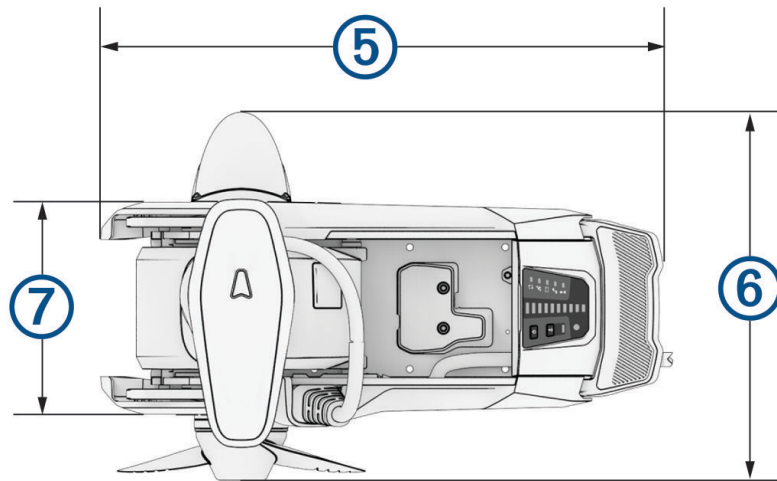


Item	63 in. Model	75 in. Model	90 in. Model
① length on boat	168.7 cm (66 ⁷ / ₁₆ in.)	199.2 cm (78 ⁷ / ₁₆ in.)	237.3 cm (93 ⁷ / ₁₆ in.)
② mount height	26.2 cm (10 ⁵ / ₁₆ in.)	26.2 cm (10 ⁵ / ₁₆ in.)	26.2 cm (10 ⁵ / ₁₆ in.)
③ overhang height	1.7 cm (1 ¹ / ₁₆ in.)	1.7 cm (1 ¹ / ₁₆ in.)	1.7 cm (1 ¹ / ₁₆ in.)
④ overhang length	20.7 cm (8 ¹ / ₈ in.)	20.7 cm (8 ¹ / ₈ in.)	20.7 cm (8 ¹ / ₈ in.)

Deployed Dimensions



Item	63 in. Model	75 in. Model	90 in. Model
① minimum height	48.6 cm (19 ¹ / ₈ in.)	48.6 cm (19 ¹ / ₈ in.)	48.6 cm (19 ¹ / ₈ in.)
② mount length on deck	46 cm (18 ¹ / ₈ in.)	46 cm (18 ¹ / ₈ in.)	46 cm (18 ¹ / ₈ in.)
③ maximum propeller depth	126 cm (49 ⁵ / ₈ in.)	156.5 cm (61 ⁵ / ₈ in.)	194.6 cm (76 ⁵ / ₈ in.)
④ maximum distance to from mount to skeg tip	145 cm (57 ¹ / ₄ in.)	175.9 cm (69 ¹ / ₈ in.)	213.7 cm (84 ¹ / ₈ in.)



Item	All Models
⑤ mount length	61.2 cm (24 1/8 in.)
⑥ motor head length	With transducer: 42.7 cm (16 13/16 in.) Without transducer: 41.2 cm (16 1/4 in.)
⑦ mount width	24.6 cm (9 11/16 in.)

Contacting Garmin Support

- Go to support.garmin.com for help and information, such as product manuals, frequently asked questions, videos, and customer support.
- In the USA, call 913-397-8200 or 1-800-800-1020.
- In the UK, call 0808 238 0000.
- In Europe, call +44 (0) 870 850 1241.

Specifications

Trolling Motor

Weight (motor, mount, and cables)	63 in. white model: 24 kg (53 lb.) 63 in. black model: 24.5 kg (54 lb.) 75 in. white model: 24.5 kg (54 lb.) 75 in. black model: 25.4 kg (56 lb.) 90 in. white model: 25 kg (55 lb.)
Weight (stabilizer)	0.66 kg (1.45 lb.)
Operating temperature	From -5° to 40°C (from 32° to 104°F)
Storage temperature	From -40° to 85°C (-40° to 185°F)
Material	Mount and motor housing: aluminum Shaft cap, display panel, and side panels: plastic Motor shaft: fiberglass
Water rating	Shaft cap: IEC 60529 IPX5 ¹ Steering motor housing: IEC 60529 IPX7 ² Display panel housing: IEC 60529 IPX7 ² Propeller drive motor housing: IEC 60529 IPX8 ³
Compass safe distance	61 cm (2 ft.)
Power cable length	63 in. black model: 0.9 m (3 ft.) 63 in. white model: 1.2 m (4 ft.) 75 in. model: 1.2 m (4 ft.) 90 in. model: 1.2 m (4 ft.)
Input voltage	From 20 to 45 Vdc
Input amperage	60 A continuous
Breaker (not included)	42 VDC or greater, suitable for 60 A continuous NOTE: You can protect the system by using a larger circuit breaker, not to exceed 90 A, if you are operating under high temperatures or if you are sharing the circuit with other devices. You should verify that your boat wiring meets marine wiring standards using a larger breaker before changing it.
Main power usage at 36 Vdc 60 A	Off: 72 mW Full power: 2160 W
Radio frequency	2.4 GHz @ 17.4 dBm Max

¹ The part withstands projected water exposure from any direction (such as rain).

² The part withstands incidental immersion in water up to 1 m deep for up to 30 min.

³ The part withstands continuous immersion in water up to 3 m deep.

Remote Control

Dimensions (W×H×D)	152 x 52 x 32 mm (6 x 2 x 1 ¹ / ₄ in.)
Weight	109 g (3.8 oz.) without batteries
Material	Glass-filled nylon
Display type	Sunlight-visible, transfective memory-in-pixel (MIP)
Display resolution	R240 x 240 pixels
Display size (diameter)	30.2 mm (1 ³ / ₁₆ in.)
Operating temperature	From -15° to 55°C (5° to 131°F)
Storage temperature	From -40° to 85°C (-40° to 185°F)
Battery type	2 AA (not included)
Battery life	240 hr., typical use
Radio frequency	2.4 GHz @ 3.4 dBm nominal
Water rating	IEC 60529 IPX ⁴
Compass-safe distance	15 cm (6 in.)

联系信息

制造厂商：台湾国际航电股份有限公司

销售厂商：上海佳明航电企业管理有限公司

联络地址：上海市徐汇区桂平路 391 号（新漕河泾国际商务中心 A 座 37 层）

电话：021-60737675

客服专线：400-819-1899

連絡地址

製造銷售：台灣國際航電股份有限公司

聯絡地址：新北市汐止區樟樹二路 68 號

電話：(02)2642-8999

客服專線：(02)2642-9199

⁴

Withstands incidental exposure of water up to 1 m for up to 30 min.

物質宣言

部件名称	有毒有害物质或元素									
	铅	汞	镉	六价铬	多溴联苯	多溴二苯醚	邻苯二甲酸二(2-乙基己)酯	邻苯二甲酸丁苄酯	邻苯二甲酸二丁酯	邻苯二甲酸二异丁酯
印刷电路板组件	×	○	○	○	○	○	○	○	○	○
金属零件	×	○	○	○	○	○	○	○	○	○
电缆 电缆组件 连接器	×	○	○	○	○	○	○	○	○	○
塑料和橡胶零件	○	○	○	○	○	○	○	○	○	○

本表格依据 SJ/T11364 的规定编制。

○: 代表此种部件的所有均质材料中所含的该种有害物质均低于 (GB/T26572) 规定的限量

×: 代表此种部件所用的均质材料中, 至少有一类材料其所含的有害物质高于 (GB/T26572) 规定的限量

* 该产品说明书应提供在环保使用期限和特殊标记的部分详细讲解产品的担保使用条件。



产品

이 기기는 업무용 환경에서 사용할 목적으로
적합성 평가를 받은 기기로서 가정용 환경에서
사용하는 경우 전파 간섭의 우려가 있습니다

© 2023 Garmin Ltd. or its subsidiaries

Garmin®, the Garmin logo, ActiveCaptain®, and Force® are trademarks of Garmin Ltd. or its subsidiaries, registered in the USA and other countries. These trademarks may not be used without the express permission of Garmin.

You should reference United States Code of Federal Regulations: 33 CFR 183 - Boats and Associated Equipment and ABYC E-11: AC and DC Electrical Systems on Boats when installing this trolling motor.

MN: A04109 / B04109 / C04109

拖釣推進器