



A Garmin Brand

XS SERIES SUBWOOFER INSTALLATION INSTRUCTIONS

Important Safety Information

WARNING

See the *Important Safety and Product Information* guide in the product box for product warnings and other important information.

This device must be installed according to these instructions to avoid serious personal injury or possible property damage.

Disconnect the vessel's power supply before beginning to install this device to avoid serious personal injury or possible property damage.

CAUTION

It is strongly recommended that you have your audio system installed by a professional installer to ensure optimum performance and to avoid personal injury or property damage.

Continuous exposure to sound pressure levels over 100 dBA may cause permanent hearing loss. The volume is typically too loud if you cannot hear people speaking around you. Limit the amount of time you listen at high volume. If you experience ringing in your ears or muffled speech, stop listening and have your hearing checked.

To avoid possible personal injury, always wear safety goggles, ear protection, and a dust mask when drilling, cutting, or sanding.

NOTICE

When drilling or cutting, always check what is on the opposite side of the surface to avoid damaging the vessel.

You must read all installation instructions before beginning the installation. If you experience difficulty during the installation, go to support.garmin.com for product support.

What's In the Box

- 1 subwoofer
- 6 Phillips stainless steel, 4.8 mm x 50 mm (10 gauge x 2 in.) mounting screws
- Mounting template
- Grilles



Tools Needed

- Electric drill
- Drill bit (size varies based on surface material)
- Phillips screwdriver
- Wire strippers
- Wires and cables:
 - 12 AWG (3 through 4 mm²) marine-grade, fully-tinned copper wire for standard speakers
You can purchase this wire from your Fusion® or Garmin® dealer:
 - 010-12898-00: 7.62 m (25 ft.)
 - 010-12898-10: 15.24 m (50 ft.)
 - 010-12898-20: 100 m (328 ft.)
- 4.8 mm and 6.3 mm female speaker spade connectors (recommended)
- 4 mm male and female speaker bullet connectors (recommended)
- Crimping tool (optional)
- Electrical tape
- Appropriate saw or utility knife to cut surface material
- Marine sealant (optional)

NOTE: For customized installations, additional tools and materials may be needed.

Mounting Considerations

NOTICE

When mounting the subwoofer in an area exposed to weather or water, you must mount the subwoofer on a vertical surface. If you mount the subwoofer on a horizontal surface facing up, water can gather in and around the subwoofer, causing damage over time.

If you intend to mount the subwoofer outside the boat, you must mount it in a location well above the waterline, where it is not submerged or damaged by docks, pilings, or other pieces of equipment. When mounted correctly, this subwoofer is rated for protection from the front of the speaker. Water exposure and damage to the rear of the subwoofer voids the warranty. This includes situations when the subwoofer is mounted in a sealed enclosure, especially if it is exposed to wash down. Using an enclosure with a port or vent exposed to the outside environment may allow water to collect and damage the subwoofer.

You must turn off the audio system before making any connections to the source unit, amplifier, or speakers. Failure to do so could result in permanent damage to the audio system.

You should protect all terminals and connections from grounding and from each other. Failure to do so could result in permanent damage to the audio system and void the product warranty.

When selecting a mounting location for the subwoofer, observe these considerations:

- You must select mounting locations that provide sufficient clearance for the mounting depth of the subwoofer as specified in the product specifications.
- You should select a flat mounting surface for the best seal.
- You should select a location where the surface material is thick enough to support the weight of the subwoofer. It's important to note that when in use, the subwoofer exerts a pushing and pulling effect on the surface, so if the material is thin, it can result in excess vibration and negatively affect the sound quality.
- You should protect the speaker wires from sharp objects and always use rubber grommets when wiring through panels.
- To avoid interference with a magnetic compass, you should not mount the subwoofer closer to a compass than the compass-safe distance value listed in the product specifications.

Selecting the correct mounting location optimizes the performance of the subwoofer. Fusion speakers are designed to perform in the widest possible range of mounting locations, but the more you plan the installation, the better the speakers' sound will be. For more information on subwoofer placement and specifications, go to garmin.com.

Mounting the Subwoofer

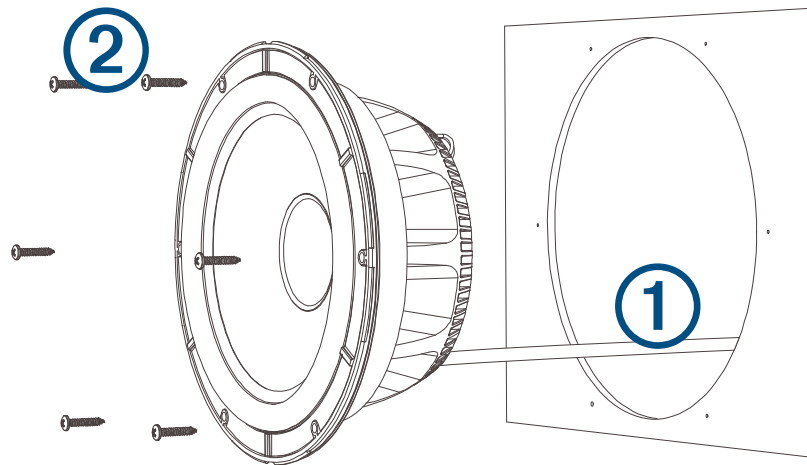
Before mounting the subwoofer, you must choose a location following the mounting considerations above.

Before cutting the mounting surface, you should verify that there is enough clearance for the speaker behind the surface. Refer to the specifications for clearance information.

NOTICE

Do not apply grease or lubricant to the screws when fastening the subwoofer to the mounting surface. Grease or other lubricants can cause damage to the subwoofer housing.

- 1 Route the wires from the source to the mounting location, away from sources of electrical interference.
- 2 Trim the template and make sure it fits in the selected location.
- 3 Orient the template so the Fusion logo is level in the selected location.
- 4 Secure the template to the selected location.
- 5 Using a rotary tool or jigsaw, cut the mounting surface along the inside of the line on the template.
- 6 Place the subwoofer in the cutout to test the fit.
- 7 If necessary, use a file and sandpaper to refine the size of the cutout.
- 8 After the subwoofer fits correctly in the cutout, ensure the mounting holes on the subwoofer line up with the pilot holes on the template.
- 9 If the mounting holes on the subwoofer do not line up, mark the new hole locations.
- 10 Using an appropriately sized drill bit for the mounting surface and screw type, drill the holes.
- 11 Remove the template from the mounting surface.
- 12 Connect the subwoofer wires ① while observing polarity ([Subwoofer Wiring, page 4](#)).



13 If necessary, connect the LED wires to the Sports model subwoofer ([LED Wiring, page 4](#)).

14 Place the subwoofer in the cutout.

15 Secure the subwoofer to the mounting surface using the included screws ②.

NOTE: Do not over tighten the screws, especially if the mounting surface is not flat.

16 With the subwoofer mounted, hold the grille with the Fusion logo at the bottom, or at the 6 o'clock position.

17 Press on the grille to snap it into place.

Subwoofer Wiring

When connecting the subwoofer to your amplifier or source, observe the following considerations.

- Speaker wire is not included with the subwoofer. You should use 12 AWG (3 through 4 mm²) speaker wire to connect the subwoofer to the amplifier or source.
- The leads on the subwoofer are terminated using male spade connectors. You should use female spade connectors (not included) to connect the speaker wire to the speaker leads for the best connection.
- The subwoofer features a dual 2 Ohm voice coil that can be configured for 2.1 operation (two speakers and one subwoofer) when connected to a Fusion stereo with DSP capability ([Configuring the Subwoofer for 2.1 Operation, page 6](#)).
- You can use the following table to identify the polarity of the leads on the speaker.

White	Positive (+)
Gray with a black stripe	Negative (-)

NOTE: Gray and white with a black stripe wires are connected to jumper terminals on the back of the subwoofer. These wires must remain connected to the jumper terminals for normal use (4 Ohm) and should be disconnected only when configuring the speaker for 2.1 operation.

LED Wiring

NOTICE

Using certain LED colors on the speakers, such as red and green, may violate the laws, regulations, and standards related to the use and/or operation of marine navigation lights. It is the user's responsibility to comply with any such applicable laws, regulations, and standards. Garmin is not responsible for any fines, penalties, citations, or damages that may be incurred due to any such lack of compliance.

It is recommended to connect the LEDs using marine LED cable (010-13386-00).

If connecting the marine LED cable to RGB or CRGB lighting, you should properly terminate any unused wires.

It is recommended to install an LED lighting controller module with these speakers to turn the LEDs on and off, change the colors, and create lighting effects. See your Fusion dealer or garmin.com for more information.

You should follow the instructions provided with the LED controller to connect the LED wires from the speakers to the LED controller and to connect the controller to power.

If you choose not to install the LED controller, you can set the static color of the LEDs by connecting combinations of the LED wires directly to the power source ([Connecting the LED Wires, page 5](#)).

Connecting the LED Wires

If you choose to not install a remote control to turn the LEDs on and off, change the color, and create lighting effects, you can choose a static LED color by connecting specific LED color wires to ground. You can splice the ground wire to a combination of LED wires to customize the LED color beyond red, green, or blue.

NOTE: LEDs are not available on all models.

The black wire on the LED cable is terminated with a 4 mm female bullet connector, and the color wires are terminated with 4 mm male bullet connectors. You can connect these to 4 mm bullet connectors on your wires (not included), or remove the bullet connectors to connect to the bare wires instead.

- 1 Connect a positive wire to the black wire on the LED cable.
- 2 Connect a ground wire to the wire or the combination of wires on the LED cable according to the preferred LED color.

LED Color	LED Wire Color
Red	Red wire
Green	Green wire
Blue	Blue wire
Yellow	Combined red and green wires
Magenta	Combined red and blue wires
Cyan	Combined blue and green wires
White	Combined red, green, and blue wires

- 3 Route the positive and negative wires, and connect them to a power source ([Connecting the LED Wires to Power, page 5](#)).

Connecting the LED Wires to Power

NOTE: LEDs are not available on all models.

You must connect all 12 Vdc wiring to the LEDs to a 3 A fuse at the power-source end of the cable. You should connect the positive (+) power wire to a 12 Vdc power source through an isolator switch or circuit breaker to turn the LEDs on and off. You can use the same isolator or circuit breaker controlling the power supply to your stereo, which allows you to turn the LEDs and the stereo on and off at the same time.

You should use 20 AWG (0.5 through .75 mm²) or thicker wire to connect the LEDs to the battery.

- 1 Route the positive power (+) and negative ground (-) wires from the LED-wire connections to the battery.
- 2 Connect the negative wire to the negative (-) battery terminal.
- 3 Connect the positive wire to the positive (+) terminal through a 3 A fuse and isolator switch or circuit breaker.

Subwoofer Sound Optimization

While installing the subwoofer, you can ensure the sound from the subwoofer is optimized by running the subwoofer out of phase. You can switch the positive and negative wires on the amplifier or source to run them out of phase.

Running the subwoofer out of phase from the speakers allows you to hear if the perception of bass is more from the location of the subwoofer or from the speakers. If running the subwoofer out of phase gives a better perception that the bass is from the speakers' location, then out-of-phase wiring is correct for your system.

You can run the subwoofer out of phase by temporarily switching the positive and negative connections from the subwoofer at the amplifier or source. Depending on the outcome of the test, you can then switch the connections back if necessary.

Configuring the Subwoofer for 2.1 Operation

The subwoofer features dual 2 Ohm voice coils and is pre-configured for 4 Ohm operation. You can change the configuration of the subwoofer for 2.1 operation (two speakers and one subwoofer) when connected to a Fusion 2 Ohm-stable stereo with DSP capability, such as an Apollo™ RA770. See support.garmin.com for more information about compatible stereos.

- 1 Disconnect the gray wire and the white with a black stripe wire from the jumper terminals on the back of the subwoofer.
- 2 Connect the wires from the subwoofer to the stereo using the following table as a reference.

Subwoofer lead	Stereo connection
White	Zone 2 right positive (+)
White with a black stripe	Zone 2 right negative (-)
Gray	Zone 2 left positive (+)
Gray with a black stripe	Zone 2 left negative (-)

- 3 Turn on the connected stereo.
- 4 Launch the Fusion-Link™ app, and select the 2.1 option for the connected stereo.

The subwoofer operates in 2.1 mode, with the volume control tied to zone 1 on the stereo. The zone 2 volume control and the zone 2 line out connectors are disabled.

Additional Information

True-Marine™ Products

True-Marine products are subjected to rigorous environmental testing under harsh marine conditions to surpass industry guidelines for marine products.

Any product that bears the True-Marine stamp of assurance has been designed for simplicity of use and combines advanced marine technologies to deliver an industry leading entertainment experience. All True-Marine products are supported by the Fusion 3-year worldwide limited consumer warranty.

Registering Your Fusion Device

Help us better support you by completing our online registration today.

- Go to garmin.com.
- Keep the original sales receipt, or a photocopy, in a safe place.

Cleaning the Subwoofer

NOTE: When mounted correctly, the front of this subwoofer is protected against dust and water ingress under normal conditions. They are not designed to withstand high pressure water spray, which may occur when you wash down your vessel. High-pressure spray on the subwoofer may damage the product and void the warranty.

NOTICE

Do not use harsh or solvent-based cleaners on the subwoofer. Using such cleaners may damage the product and void the warranty.

- 1 Clean all salt water and salt residue from the speaker with a damp cloth soaked in fresh water.
- 2 Use a mild detergent to remove a heavy buildup of salt or stains.

Troubleshooting

Before you contact your Fusion dealer or service center, you should perform a few simple troubleshooting steps to help diagnose the problem.

If the Fusion subwoofer has been installed by a professional installation company, you should contact the company so the technicians can assess the problem and advise you about possible solutions.

There is no sound coming from the subwoofer

- Verify that all connections are connected correctly to the proper terminals.

The system lacks bass

- Verify that the subwoofer is attached firmly to the mounting surface.

The audio is distorted

- Verify that the panels surrounding the subwoofer on the vessel are not rattling.
- Verify that the amplifier is connected to the subwoofer terminals correctly.
- If the subwoofer is connected to an amplifier, verify that the input level of the amplifier is matched to the output level of the stereo.

For more information, see the manual for the amplifier.

The LED lights will not turn on

- Verify that all wiring connections are correct and tight.

The LEDs pulse with the bass notes of the music

- Install a Fusion LED voltage regulator (SG-VREGLED).

Specifications

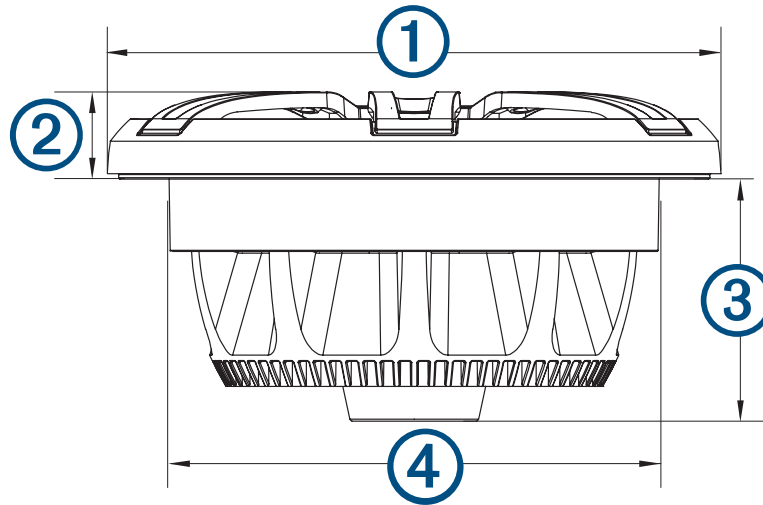
Peak power (Watts)	600 W
RMS power (Watts)	120 W
Efficiency (1 W/1 m)	87 dB
Frequency response	From 30 Hz to 2000 Hz
Nominal impedance	4 ohm
Recommended amplifier power (RMS)	40 to 300 W per channel
Min. mounting depth (clearance)	113 mm (4 ⁷ / ₁₆ in.)
Mounting diameter (clearance)	223 mm (8 ³ / ₄ in.)
Optimum enclosure volume recommendation*	40 L
LED color options (sports model only)	RGB
LED supply voltage (Sports model only)	From 10.8 to 16 Vdc
LED load current at 14.4 Vdc (Sports model only)	150 mA
Operating temperature range	From 0 to 50°C (from 32 to 122°F)
Storage temperature range	From -20 to 70°C (from -4 to 158°F)
Cone/surround material	Polypropylene cone, rubber surround
Water and dust rating	IEC 60529 IP65 (Protected against dust and water ingress)

*Sealed enclosure, fully filled with absorption material.

NOTICE

This speaker is not intended to be installed in a vented or ported enclosure when exposed to the outside environment. Mounting the speaker in a vented or ported enclosure may result in corrosion and poor speaker performance.

Speaker Dimensions



①	274 mm (10 ¹³ / ₁₆ in.)
②	Classic grille: 32 mm (1 ¹ / ₄ in.) Sports grille: 37 mm (1 ⁷ / ₁₆ in.)
③	110 mm (4 ⁵ / ₁₆ in.)
④	221 mm (8 ¹¹ / ₁₆ in.)

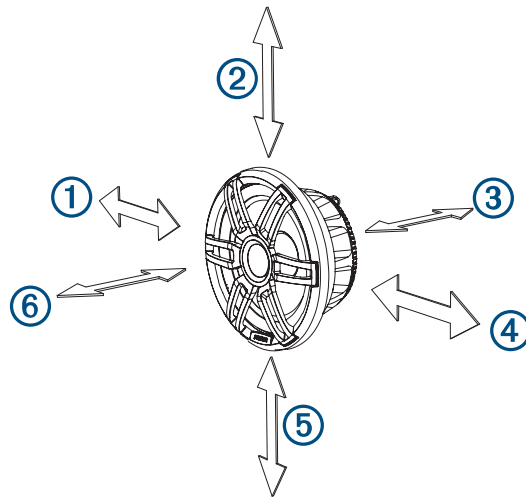
A Sports model subwoofer is shown, but the dimensions are the same for the Classic model unless noted.

Subwoofer Compass-Safe Distance

All speakers and subwoofers contain magnets which are likely to cause interference with instruments on your boat. The size of the magnet used in the subwoofer affects how much interference the subwoofer may cause. Interference can cause deviations and variations in the readings of sensitive navigational equipment, such as magnetic compasses. These deviations can cause inaccuracies or offsets in the readings, but will not harm the equipment. To alleviate the deviations, adjust the compass for the deviation following the manufacturer's instructions or move the subwoofer away from the navigational equipment. After moving a source of interference, you may need to recalibrate the compass.

If you are navigating solely by a magnetic compass, use extreme caution to place the speaker far enough away from the compass to avoid causing deviations in the readings.

To avoid deviations to navigational equipment, position the subwoofer so it is separated from the navigational equipment by at least the distance listed in the table below.



Direction from Subwoofer	10" Subwoofer
①	280 cm (9 ft. 2 in.)
②	280 cm (9 ft. 2 in.)
③	370 cm (12 ft. 2 in.)
④	280 cm (9 ft. 2 in.)
⑤	295 cm (9 ft. 8 in.)
⑥	350 cm (11 ft. 6 in.)

Thiele Small Parameters

You can use the Thiele Small (T/S) parameters when designing a custom enclosure for your subwoofer.

NOTE: Thiele/Small parameters may vary between samples, based on the environment and how much the speaker has been used. These values are intended as a guide to help with enclosure design.

Electrical Q factor (Q_{es})	1.20
Mechanical Q factor (Q_{ms})	5.80
Total Q factor (Q_{ts})	0.99
Resonance frequency (F_s)	41 Hz
Equivalent air load (V_{as})	40 L

© 2018 Garmin Ltd. or its subsidiaries

Garmin®, the Garmin logo, Fusion®, the Fusion logo, and True-Marine™ are trademarks of Garmin Ltd. or its subsidiaries, registered in the USA and other countries. These trademarks may not be used without the express permission of Garmin.