

# GARMIN®



## GPSMAP® 9000 SERIES INSTALLATION INSTRUCTIONS

### Important Safety Information

#### WARNING

Failure to follow these warnings, cautions, and notices could result in personal injury, damage to the vessel or device, or poor product performance.

Failure to install this device according to these instructions could result in personal injury, damage to the vessel or device, or poor product performance.

See the *Important Safety and Product Information* guide in the product box for product warnings and other important information.

#### CAUTION

For the best possible performance and to avoid potential injury, damage to the device, or damage to your vessel, installation by a qualified marine installer is recommended.

To avoid possible personal injury, always wear safety goggles, ear protection, and a dust mask when drilling, cutting, or sanding.

To avoid possible personal injury or damage to the device and vessel, disconnect the vessel's power supply before beginning to install the device.

To avoid possible personal injury or damage to the device or vessel, before applying power to the device, make sure that it has been properly grounded, following the instructions in the guide.

To avoid possible personal injury or damage to this device and vessel, only install this device when the vessel is on land, or when properly secured and docked in calm water conditions.

#### NOTICE

When drilling or cutting, always check what is on the opposite side of the surface to avoid damaging the vessel.

Read all installation instructions before proceeding with the installation. If you experience difficulty during the installation, contact Garmin® Product Support.

### Contacting Garmin Support

- Go to [support.garmin.com](https://support.garmin.com) for help and information, such as product manuals, frequently asked questions, videos, and customer support.
- In the USA, call 913-397-8200 or 1-800-800-1020.
- In the UK, call 0808 238 0000.
- In Europe, call +44 (0) 870 850 1241.



## Software Update

You may need to update the chartplotter software after installation. For the instructions on how to update the software, see the owner's manual at [garmin.com/manuals/GPSMAP9000](http://garmin.com/manuals/GPSMAP9000).

## Connector View

The connectors and locations are the same across all of the GPSMAP 9000 series models. A GPSMAP 9x22 model is shown below.



<b>①</b>	2 microSD® memory card slots, 32 GB max.
POWER	Power
NETWORK	Garmin BlueNet™ network ports ( <i>Garmin BlueNet Network Considerations, page 9</i> )
HDMI IN 1	HDMI® input compatible with HDMI devices up to 4K at 60 fps
HDMI IN 2	HDMI input compatible with HDMI devices up to 4K at 30 fps
HDMI OUT	HDMI out
USB	USB-C® to connect a compatible Garmin card reader <sup>1</sup> .
USB DRD	Dual-Role-Data (DRD) USB-C that can be configured as either a host or a client.
AUDIO	NMEA® 0183 and audio out
CVBS IN	Composite video in
NMEA 2000	NMEA 2000® network
J1939	J1939 network

<sup>1</sup> An adapter cable (010-12390-13) may be required when connecting an external card reader to this port.

## Tools Needed

- Drill and drill bits
  - 3.2 mm ( $1/8$  in.) drill bit, if using wood screws
  - 3.6 mm ( $9/64$  in.) drill bit, if using the nut plate
  - 7.2 mm ( $9/32$  in.) drill bit, if using the nut plate
- #2 Phillips screwdriver
- Jigsaw or rotary tool
- File and sandpaper
- Marine sealant (recommended)

## Mounting Considerations

### NOTICE

This device should be mounted in a location that is not exposed to extreme temperatures or conditions. The temperature range for this device is listed in the product specifications. Extended exposure to temperatures exceeding the specified temperature range, in storage or operating conditions, may cause device failure. Extreme-temperature-induced damage and related consequences are not covered by the warranty.

Using the included hardware and template, you can flush mount the chartplotter in the dashboard.

When selecting a mounting location, observe these considerations.

- You should mount the chartplotter to provide an optimal viewing angle as you operate your boat.
- You must select a location that is strong enough to support the weight of the chartplotter and protect it from excessive vibration or shock.
- You should select a location that allows for easy access to all interfaces, such as the keypad, touchscreen, and card reader, if applicable.
- To avoid interference with a magnetic compass, you must not mount the chartplotter closer to a compass than the compass-safe distance value listed in the product specifications.
- You must select a location that allows room for the routing and connection of all cables.
- If the mounting location is in direct sunlight and in a horizontal orientation, ensure that the installation location meets as many of the following criteria as possible:
  - Sufficient air flow
  - Proper ventilation
  - Cooling source on the front and rear of the chartplotter
  - Method to shade the display using a canopy, window tint, or shroud

**NOTE:** If possible, you should meet all of these criteria when installing the chartplotter.

## Mounting the Device

### NOTICE

Be careful when cutting the hole to flush mount the device. There is only a small amount of clearance between the case and the mounting holes, and cutting the hole too large could compromise the stability of the device after it is mounted.

To avoid potential damage to the powder coating, use only the included screws to mount the device. Using screws other than the ones included will void your warranty.

Do not remove the blue, rubber protective bumper until after the installation is complete. The bumper helps protect the device from damage during installation.

The included template and hardware can be used to flush mount the device in your dashboard. There are three options for hardware based on the mounting surface material.

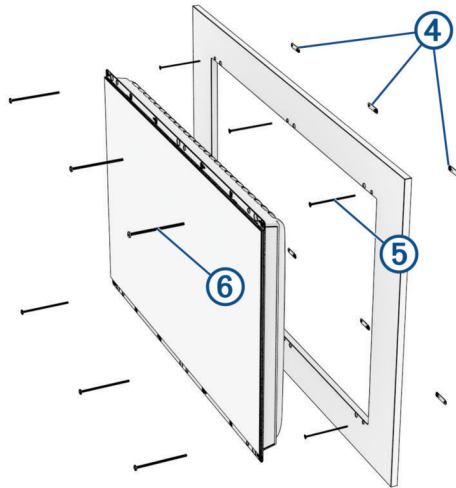
- You can drill pilot holes and use the included wood screws.
- You can drill holes and use the included nut plates and machine screws. The nut plates can add stability to a thinner surface.
- You can punch holes, tap them to M4, and use the included machine screws.

- 1 Trim the template and make sure it fits in the location where you want to mount the device.
- 2 Secure the template to the selected location.
- 3 Using a 6.6 mm ( $1/4$  in.) drill bit, drill one or more of the holes inside the corners of the solid line on the template to prepare the mounting surface for cutting.
- 4 Using a jigsaw or rotary tool, cut the mounting surface along the **inside** of the solid line indicated on the template.
- 5 Place the device in the cutout to test the fit.
- 6 If necessary, use a file and sandpaper to refine the size of the cutout and remove any burrs caused by cutting the opening.
- 7 After the device fits correctly in the cutout, ensure the mounting holes on the device line up with the larger 7.2 mm ( $9/32$  in.) holes on the template.
- 8 If the mounting holes on the device do not line up, mark the new hole locations.
- 9 Based on your mounting surface, drill or punch and tap the larger holes:
  - Drill 3.2 mm ( $1/8$  in.) pilot holes for the included wood screws, and skip to step 18.
  - Drill 7.2 mm ( $9/32$  in.) holes for the included nut plate and machine screws.
  - Punch and tap M4 holes for the included machine screws, and skip to step 18.
- 10 If using the nut plates, starting in one corner of the template, place a nut plate ① over the larger hole ② drilled in step 9.

The smaller hole ③ on the nut plate should line up with the smaller hole on the template.
- 11 If the smaller 3.6 mm ( $9/64$  in.) hole on the nut plate does not line up with the smaller hole on the template, mark the new location.
- 12 Repeat steps 10 and 11 for each nut plate.
- 13 Using a 3.6 mm ( $9/64$  in.) drill bit, drill the smaller holes.
- 14 Remove the template from the mounting surface.



- 15** Starting in one corner of the mounting location, place a nut plate **4** on the back of the mounting surface, lining up the large and small holes.  
The raised portion of the nut plate should fit into the larger hole.



- 16** Secure the nut plate to the mounting surface by fastening an included M3 screw **5** through the smaller 3.6 mm ( $9/64$  in.) hole.
- 17** Repeat steps 15 and 16 for each of the nut plates along the top and bottom of the device.
- 18** If necessary, install the gaskets and hard stops on the device (*Installing the Gasket and Hard Stops, page 6*).
- 19** If you will not have access to the back of the device after you mount it, connect all necessary cables to the device and insert a microSD card before placing it into the cutout.
- NOTE:** To prevent corrosion of the metal contacts, cover unused connectors with the attached weather caps.
- 20** Apply marine sealant along the edges of the device where it contacts the mounting surface.
- 21** Place the device into the cutout.
- 22** Secure the device to the mounting surface using the included M4 screws **6** or wood screws, depending on the mounting method.
- 23** Carefully remove and discard the rubber protective bumper.
- 24** Install the decorative trim caps (*Installing and Removing the Decorative Trim Caps, page 7*).

## Installing the Gasket and Hard Stops

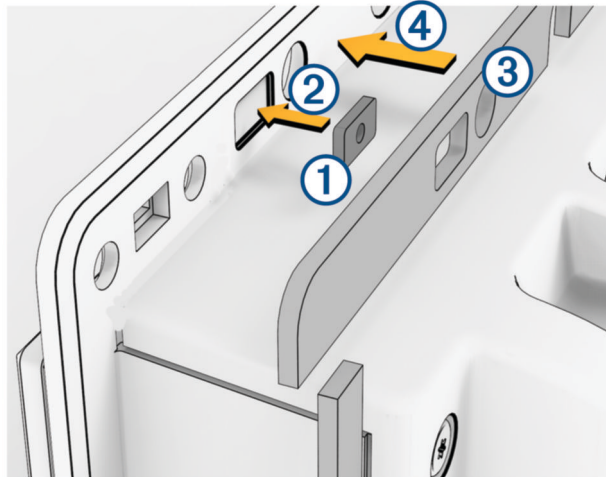
### NOTICE

Whether you install the mounting gaskets or not, you should apply marine sealant between the device and the mounting surface to help prevent water intrusion behind the mounting surface.

Mounting gaskets are provided with the device, but are not required for installation. If you install the gaskets, you must also install the included hard stops to prevent over-compression of the gaskets, unless you are replacing a previous model of chartplotter installed in the same location.

- 1 If you are not replacing a previous chartplotter in the same flush-mount opening, install the hard stops ① on the back of the chartplotter by removing the adhesive backing and pressing them into place ② in the designated recess near the mounting holes.

You should install a hard stop near every nut plate location. Be sure to install the hard stops in every designated recess along the top and bottom of the chartplotter.



- 2 Place the gasket pieces ③ along all four edges on the back of the chartplotter sure they align with the mounting holes and hard stops.  
The GPSMAP 9x27 models have split gasket pieces along the top and the bottom due to their size.
- 3 Remove the adhesive backing from the gasket pieces and press them into place ④ along the edges on the back of the chartplotter.

The shorter vertical gaskets may overlap the top and bottom gaskets. You may need to trim the vertical gaskets for the best fit.

When applying the split gaskets along the top and bottom of a GPSMAP 9x27 model, you should align and secure the outside edge first, and then move toward the middle. You may need to trim any overlap in the gasket pieces where they meet in the middle.

## Installing and Removing the Decorative Trim Caps

You must secure the chartplotter to the mounting surface before you can install the decorative trim caps.

### NOTICE

The decorative trim caps for this chartplotter are made from metal. Use caution when installing the trim caps to avoid scratching the screen, and use caution when removing the trim caps to avoid bending them.

- 1 Place a trim cap along the top edge of the chartplotter.
- 2 Press one corner of the trim cap until it snaps into place, and then continue working toward the other end until the trim cap is securely connected to the chartplotter.
- 3 Place the other trim cap along the bottom edge of the chartplotter, and press it into place as described in the previous step.

If you must remove either or both of the trim caps, start by pulling the ends of the trim cap away from the chartplotter to disconnect it, and then work toward the middle to remove it. If you start by disconnecting a trim cap in the middle, you might bend it.

## Connection Considerations

When connecting this device to power and to other Garmin devices, you should observe these considerations.

- The power and ground connections to the battery must be checked to make sure they are secured and cannot become loose.
- The cables may be packaged without the locking rings installed. The cables should be routed before the locking rings are installed.
- After installing a locking ring on a cable, you should make sure the ring is securely connected and the o-ring is in place so the power or data connection remains secure.

## Connecting to Power

### ⚠ WARNING

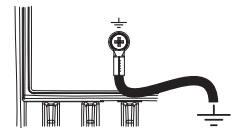
When connecting the power cable, do not remove the in-line fuse holder. To prevent the possibility of injury or product damage caused by fire or overheating, the appropriate fuse must be in place as indicated in the product specifications. Connecting the power cable without the appropriate fuse in place voids the product warranty.

You should connect the red wire to the power source through the ignition or another manual switch to turn the device on and off.

- 1 Route the power cable between the power source and the device.
- 2 Connect the red power wire to the ignition or another manual switch, and connect the switch to the positive (+) battery terminal if necessary.
- 3 Connect the black wire to the negative (-) battery terminal or to ground.
- 4 Connect the power cable to the device, and turn the locking ring clockwise to tighten it.

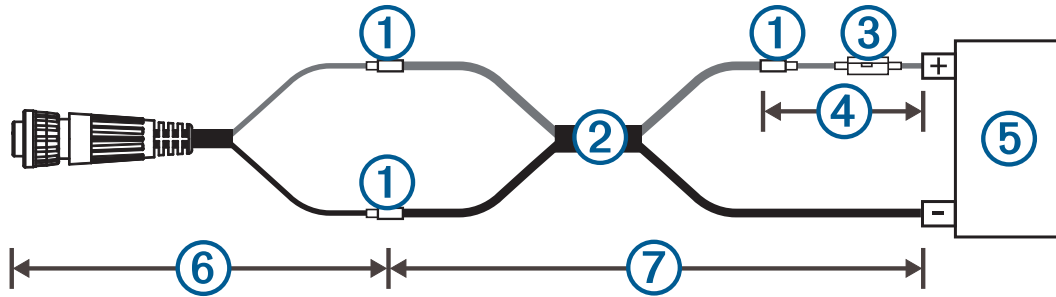
## Additional Grounding Consideration

This device should not need additional chassis grounding in most installation situations. If you experience interference, you can use the grounding screw on the housing to connect the device to the water ground of the boat to help avoid the interference.



## Power Cable Extensions

If necessary, the power cable can be extended using the appropriate wire gauge for the length of the extension.



①	Splice
②	<ul style="list-style-type: none"> <li>• Up to 4.6 m (15 ft.): 10 AWG (5.26 mm<sup>2</sup>) extension wire</li> <li>• Up to 7 m (23 ft.): 8 AWG (8.36 mm<sup>2</sup>) extension wire</li> <li>• Up to 11 m (36 ft.): 6 AWG (13.29 mm<sup>2</sup>) extension wire</li> </ul>
③	Fuse (15 A)
④	20.3 cm (8 in.)
⑤	Battery
⑥	20.3 cm (8 in.)
⑦	11 m (36 ft.) maximum extension

## Station Connection Considerations

This device can be set up in conjunction with other compatible Garmin devices to work together as a station. When planning stations on your boat, observe these considerations.

- Devices earlier than the GPSMAP 8000 series and GPSMAP 8500 series cannot be used in a station.
- Although it is not necessary, it is recommended that you install all of the devices you plan to use in one station near each other.
- All of the devices you plan to use in stations must be connected to the Garmin BlueNet network ([Garmin BlueNet Network Considerations, page 9](#)). No additional, special connections are necessary.
- Stations are created and modified using the device software. See the device owner's manual for more information.



## Garmin BlueNet Network Considerations

This device can connect to additional Garmin devices to share data such as radar, sonar, and detailed mapping using Garmin BlueNet technology. For more information about Garmin BlueNet technology, including best practices for properly constructing a network that contains both Garmin BlueNet devices and legacy Garmin Marine Network devices, go to [garmin.com/manuals/bluenet](http://garmin.com/manuals/bluenet).

When connecting Garmin BlueNet devices and legacy Garmin Marine Network devices to this device, observe these considerations.

- The NETWORK ports on the device each act as a Garmin BlueNet network switch. Any Garmin BlueNet device can connect to any NETWORK port to share data with all devices on the boat connected by a Garmin BlueNet cable.
- You can connect legacy Garmin Marine Network devices to this device if you install a Garmin BlueNet 30 gateway.
- All devices connected to the Garmin BlueNet network must be connected to the same ground. If multiple power sources are used for Garmin BlueNet network devices, you must tie all ground connections from all power supplies together using a low resistance connection or tie them to a common ground bus bar, if available.
- You must use a Garmin BlueNet network cable for all Garmin BlueNet network connections.
  - You must not use third-party CAT5 cable and RJ45 connectors for Garmin BlueNet network connections.
  - Additional Garmin BlueNet cables and connectors are available from your Garmin dealer or from [garmin.com](http://garmin.com).

## NMEA 2000 Considerations

### NOTICE

If you are connecting to an **existing** NMEA 2000 network, identify the NMEA 2000 power cable. Only one NMEA 2000 power cable is required for the NMEA 2000 network to operate properly.

A NMEA 2000 Power Isolator (010-11580-00) should be used in installations where the existing NMEA 2000 network manufacturer is unknown.

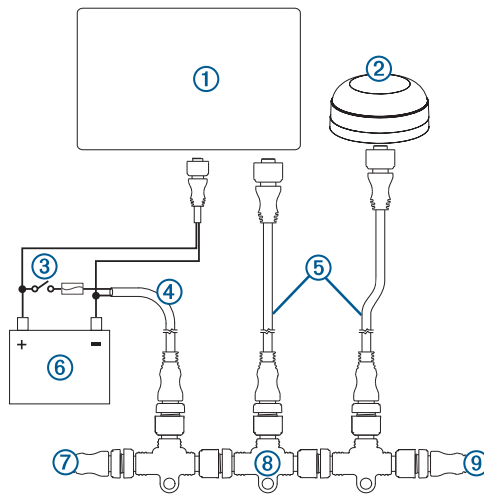
If you are installing a NMEA 2000 power cable, you must connect it to the boat ignition switch or through another in-line switch. NMEA 2000 devices will drain your battery if the NMEA 2000 power cable is connected to the battery directly.

This device can connect to a NMEA 2000 network on your boat to share data from NMEA 2000 compatible devices such as a GPS antenna or a VHF radio. The included NMEA 2000 cables and connectors allow you to connect the device to your existing NMEA 2000 network. If you do not have an existing NMEA 2000 network you can create a basic one using cables from Garmin.

This device is not powered through the NMEA 2000 network. You must connect the device to a power source (*Connecting to Power*, page 7).

If you are unfamiliar with NMEA 2000, you should read the *Technical Reference for NMEA 2000 Products* at [garmin.com/manuals/nmea\\_2000](http://garmin.com/manuals/nmea_2000).

The port labeled NMEA 2000 is used to connect the device to a standard NMEA 2000 network.



Item	Description
①	NMEA 2000 compatible Garmin device
②	GPS antenna
③	Ignition or in-line switch
④	NMEA 2000 power cable
⑤	NMEA 2000 drop cable
⑥	12 Vdc power source
⑦	NMEA 2000 terminator or backbone cable
⑧	NMEA 2000 T-connector
⑨	NMEA 2000 terminator or backbone cable

## NMEA 0183 Connection Considerations

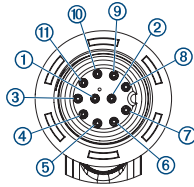
- The chartplotter provides one Tx (transmit) port and one Rx (receive) port.
- Each port has 2 wires, labeled A and B according to the NMEA 0183 convention. The corresponding A and B wires of each internal port should be connected to the A (+) and B (-) wires of the NMEA 0183 device.
- You can connect one NMEA 0183 device to the Rx port to input data to this chartplotter, and you can connect up to three NMEA 0183 devices in parallel to the Tx port to receive data output by this chartplotter.
- See the NMEA 0183 device installation instructions to identify the transmit (Tx) and receive (Rx) wires.
- You must use 28 AWG, shielded, twisted-pair wiring for extended runs of wire. Solder all connections and seal them with heat-shrink tubing.
- Do not connect the NMEA 0183 data wires from this device to power ground.
- The power cable from the chartplotter and the NMEA 0183 devices must be connected to a common power ground.
- The internal NMEA 0183 ports and communication protocols are configured on the chartplotter. See the NMEA 0183 section of the chartplotter owner's manual for more information.
- See the chartplotter owner's manual for a list of the approved NMEA 0183 sentences that the chartplotter supports.

## NMEA 0183 with Audio Cable Pinout

The optional NMEA 0183 with audio cable (010-12852-00) includes bare wires and an RCA connector for an audio out connection to a stereo, including Fusion® stereos. This cable can be purchased from [garmin.com](http://garmin.com) or your local Garmin dealer.

You can connect the RCA connector to the AUX input of the stereo. Audio received from the HDMI input to the chartplotter is output to the stereo.

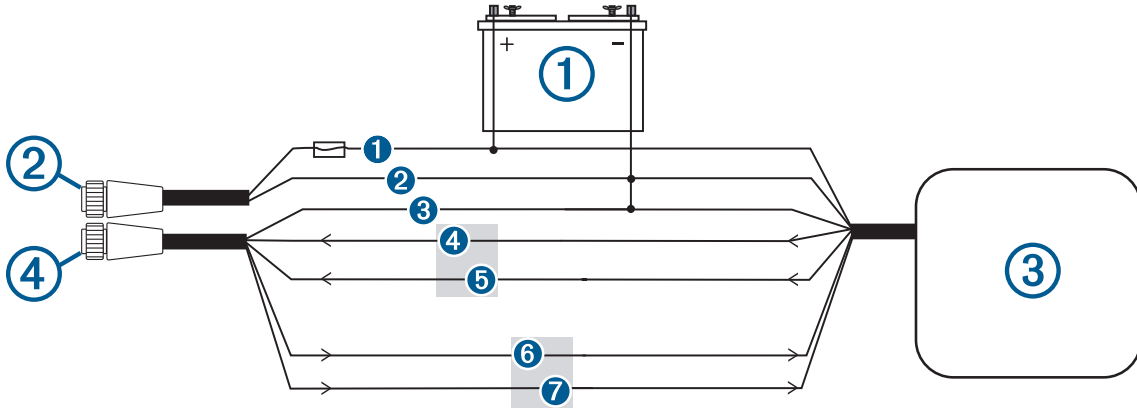
The NMEA 0183 with audio cable provides one differential NMEA 0183 input and output port.



Pin	Wire Function	Wire Color
①	NMEA 0183 Rx/A (In +)	White/orange
②	NMEA 0183 Rx/B (In -)	White
③	NMEA 0183 Tx/B (Out -)	Pink
④	NMEA 0183 Tx/A (Out +)	Gray
⑤	Ground	Black
⑥	Alarm	Yellow
⑦	Accessory on	Orange
⑧	Ground (shield)	Brown
⑨	Audio Left Channel	White
⑩	Audio Common	Blue/red
⑪	Audio Right Channel	Red

## NMEA 0183 Device Connections

This diagram illustrates two-way connections for both sending and receiving data. You can also use this diagram for one-way communication. To receive information from a NMEA 0183 device, refer to items ①, ②, ③, ④, and ⑤ when connecting the Garmin device. To transmit information to a NMEA 0183 device, refer to items ①, ②, ③, ⑥, and ⑦ when connecting the Garmin device.



Item	Description
①	Power source
②	Power cable
③	NMEA 0183 device
④	NMEA 0183 cable

Item	Garmin Wire Function	Garmin Wire Color	NMEA 0183 Device Wire Function
①	Power	Red	Power
②	Power ground	Black	Power ground
③	Data ground	Black	Data ground
④	Rx/A (In +)	White/orange	Tx/A (Out +)
⑤	Rx/B (In -)	White	Tx/B (Out -)
⑥	Tx/A (Out +)	Gray	Rx/A (In +)
⑦	Tx/B (Out -)	Pink	Rx/B (In -)

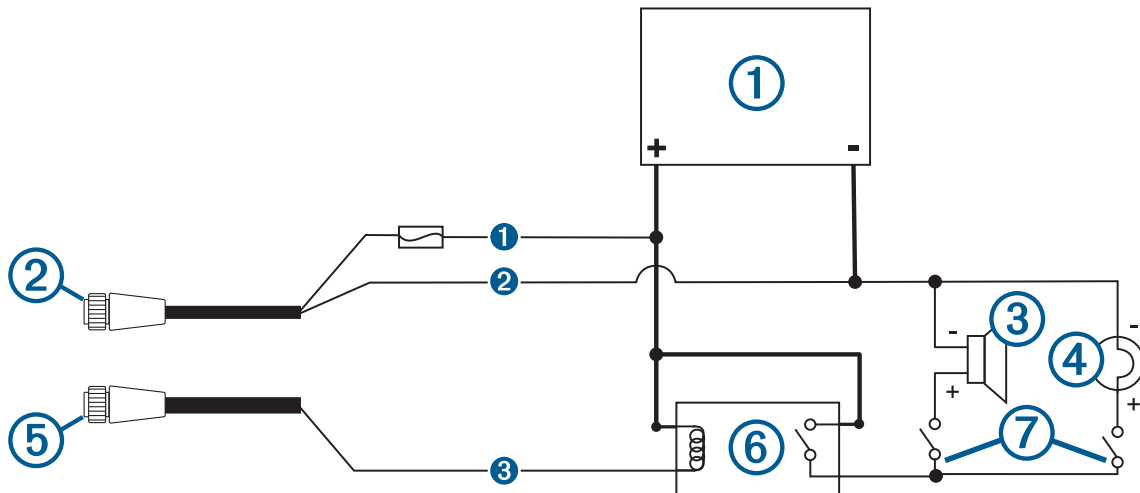
If the NMEA 0183 device has only one input (receive, Rx) wire (no A, B, +, or -), you must leave the pink wire unconnected.

If the NMEA 0183 device has only one output (transmit, Tx) wire (no A, B, +, or -), you must connect the white/orange wire to ground.

## Lamp or Horn Connections

The device can be used with a lamp, a horn, or both, to sound or flash an alert when the chartplotter displays a message. This is optional, and the alarm wire is not necessary for the device to function normally. When connecting the device to a lamp or horn, observe these considerations.

- The alarm circuit switches to a low-voltage state when the alarm sounds.
- The maximum current is 100 mA, and a relay is needed to limit the current from the chartplotter to 100 mA.
- To toggle visual and audible alerts manually, you can install single-pole, single-throw switches.



Item	Description
①	Power source
②	Power cable
③	Horn
④	Lamp
⑤	NMEA 0183 cable
⑥	Relay (100 mA coil current)
⑦	Toggle switches to enable and disable lamp or horn alerts

Item	Wire Color	Wire Function
①	Red	Power
②	Black	Ground
③	Yellow	Alarm

## J1939 Engine Network Connection Considerations

### NOTICE

You must use a Garmin GPSMAP J1939 accessory cable when connecting the chartplotter to the J1939 engine network to prevent corrosion due to moisture. Using a different cable voids your warranty.

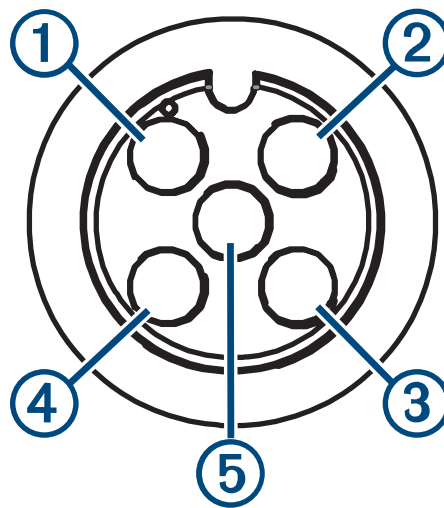
If you have an existing engine network on your boat, it should already be connected to power. Do not add any additional power supply.

This chartplotter can connect to an engine network on your boat to read data from compatible devices such as certain engines. The engine network follows a standard and uses proprietary messages.

You should consult the manufacturer of your engine or engine network when connecting the chartplotter. Some manufacturers may have requirements you must follow when connecting to avoid unexpected behavior.

The port labeled J1939 is used to connect the device to the existing engine network. You must route the cable within 6 m (20 ft.) of the engine network backbone.

The Garmin GPSMAP J1939 accessory cable requires connection to a power source and proper termination. For more information on connecting to your engine network, see the manufacturer's engine documentation.



Pin	Wire Color	Description
①	Bare	Shield
②	Red	Power, positive
③	Black	Power, negative
④	White	CAN High
⑤	Blue	CAN Low

## HDMI Video Considerations

### NOTICE

To prevent corrosion due to moisture, you must use Garmin GPSMAP accessory cables when connecting the chartplotter to the video source or display. Do not connect a media player stick directly into the back of the chartplotter. Using different cables or connecting a media player stick into the back of the chartplotter voids your warranty.

This chartplotter allows video input from HDMI video sources, such as a Chromecast™ device or a Blu-Ray™ player. You can view protected HDMI content (HDCP content) on the chartplotter screen, but are limited with how you can view that content on additional devices.

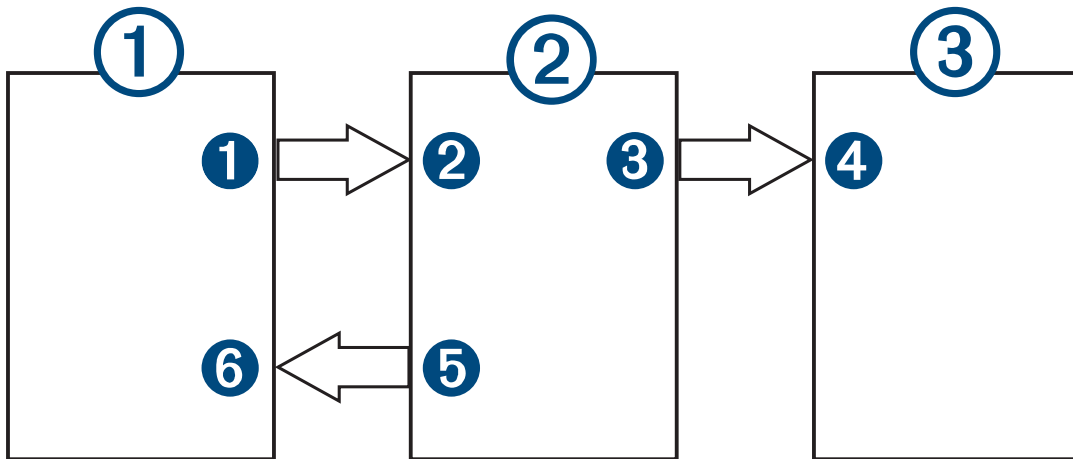
Through the HDMI OUT port, you can display the chartplotter on an external screen, such as a television or monitor. On a GPSMAP 8000 series chartplotter, you cannot view HDCP content on an external screen. On a GPSMAP 9000 series chartplotter, you can view HDCP content on an external monitor that supports industry HDCP standards.

HDMI video is shared across the Garmin Marine Network and across the Garmin BlueNet network, but it is not shared across the NMEA 2000 network. HDCP content cannot be shared across the Garmin network to GPSMAP 8000 series or older chartplotters. HDCP content can be shared by a GPSMAP 9000 series chartplotter only to other GPSMAP 9000 series chartplotters connected to the Garmin BlueNet network.

The Garmin GPSMAP HDMI accessory cable is 4.5 m (15 ft) long. If you need a longer cable, you should use an active HDMI cable only. You need an HDMI coupler to connect the two HDMI cables.

You can use an adapter cable to power a media player stick using a USB port on the chartplotter. The USB port on a GPSMAP 8000 series chartplotter and the USB DRD port on a GPSMAP 9000 series chartplotter can supply up to 2.5 W to power a media player stick. The USB port on a GPSMAP 9000 series chartplotter can supply up to 4.5 W to power a media player stick.

You must make all cable connections in a dry environment.



### Devices

Item	Device
①	HDMI source, such as a Chromecast device
②	GPSMAP chartplotter
③	Monitor, such as a computer or television



## Connections

From	To	Cable
① HDMI source's HDMI OUT port	② Chartplotter's HDMI IN port	Garmin HDMI Cable
③ Chartplotter's HDMI OUT port	④ Monitor's HDMI IN port	Garmin HDMI Cable
⑤ Chartplotter's USB/USB DRD port	⑥ HDMI source's USB port	Adapter cable to power the HDMI source, if possible (2.5 W or 4.5 W maximum depending on chartplotter model and USB port)

## Composite Video Considerations

This chartplotter allows video input from composite video sources using the port labeled CVBS IN. When connecting composite video, you should observe these considerations.

- The CVBS IN port uses a BNC connector. You can use a BNC to RCA adapter to connect a composite-video source with RCA connectors to the CVBS IN port.
- Video is shared across the Garmin Marine Network, but it is not shared across the NMEA 2000 network.

## Touchscreen Controls for a Connected Computer

### NOTICE

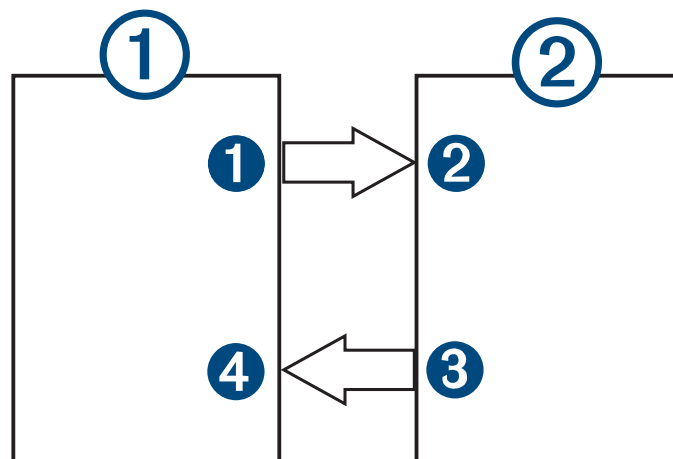
To prevent corrosion due to moisture, you must use Garmin GPSMAP accessory cables when connecting the chartplotter to the computer. Using different cables voids your warranty.

You can connect the chartplotter to a computer to see the computer screen on the chartplotter touchscreen and control the computer using the chartplotter touchscreen. To see the computer screen, you must connect the computer to the HDMI IN port. To control the computer, you must connect the computer to the USB port.

The Garmin HDMI accessory cable (010-12390-20) is 4.5 m (15 ft) long. If you need a longer cable, you should use an active HDMI cable only. You need an HDMI coupler to connect the two HDMI cables.

The Garmin USB accessory cable (010-12390-10) is 4.5 m (15 ft) long. If you need a longer cable, you should use a USB hub or USB repeater extension cable only.

You must make all cable connections in a dry environment.



## Devices

Item	Device
①	Computer
②	GPSMAP chartplotter

## Connections

From	To	Cable
① Computer's HDMI OUT port	② Chartplotter's HDMI IN port	Garmin HDMI Cable
③ Chartplotter's USB port	④ Computer's USB port	Garmin USB Cable

# Specifications

## All models

Specification	Measurement
Display resolution	4KUHD, 3840 × 2160 pixels
Material	Polycarbonate plastic and die-cast aluminum
Water rating	IEC 60529 IPX7 <sup>2</sup>
Temperature range	From -15° to 55°C (from 5° to 131°F)
Input voltage	From 10 to 35 Vdc
Fuse	15 A
NMEA 2000 LEN @ 9 Vdc	2
NMEA 2000 Draw	75 mA max.
Wireless frequency and protocols	Wi-Fi®, ANT®, and Bluetooth® technologies 2.4 GHz @ 17.21 dBm maximum
HTML integration	Compatible with OneHelm™ integration
Max. waypoints	5,000
Max. routes	100
Max. active track points	50,000 points, 50 saved tracks

## 9x19 Models

Specification	Measurement
Dimensions (W × H × D)	45.7 × 30.5 × 69 cm (18 × 12 × 2.7 in.)
Display size (W × H × diagonal)	40.9 × 23 × 46.9 cm (16.1 × 9.1 × 18.5 in.)
Weight	6.42 kg (14.16 lb.)
Max. power usage	60 W
Typical current draw at 12 Vdc	4.6 A
Typical current draw at 24 Vdc	2.3 A
Compass-safe distance	46 cm (18 in.)

<sup>2</sup> The device withstands incidental exposure to water of up to 1 m for up to 30 min. For more information, go to [www.garmin.com/waterrating](http://www.garmin.com/waterrating).

### 9x22 Models

Specification	Measurement
Dimensions (W × H × D)	52.9 × 34.6 × 6.9 cm (20.8 × 13.6 × 2.7 in.)
Display size (W × H × diagonal)	47.5 × 26.7 × 54.5 cm (18.7 × 10.5 × 21.5 in.)
Weight	7.96 kg (17.55 lb.)
Max. power usage	68 W
Typical current draw at 12 Vdc	5.2 A
Typical current draw at 24 Vdc	2.5 A
Compass-safe distance	84 cm (33 in.)

### 9x24 Models

Specification	Measurement
Dimensions (W × H × D)	57.6 × 37.6 × 6.9 cm (22.7 × 14.8 × 2.7 in.)
Display size (W × H × diagonal)	52.7 × 29.6 × 60.5 cm (20.7 × 11.7 × 23.8 in.)
Weight	9.34 kg (20.60 lb.)
Max. power usage	82 W
Typical current draw at 12 Vdc	6.5 A
Typical current draw at 24 Vdc	3.2 A
Compass-safe distance	99 cm (39 in.)

### 9x27 Models

Specification	Measurement
Dimensions (W × H × D)	65.5 × 42.3 × 8.5 cm (25.8 × 16.7 × 3.3 in.)
Display size (W × H × diagonal)	59.7 × 33.6 × 68.5 cm (23.5 × 13.2 × 27.0 in.)
Weight	12.54 kg (27.65 lb.)
Max. power usage	97 W
Typical current draw at 12 Vdc	7.2 A
Typical current draw at 24 Vdc	3.3 A
Compass-safe distance	81 cm (32 in.)

## NMEA 2000 PGN Information

### Transmit and Receive

PGN	Description
059392	ISO acknowledgment
059904	ISO request
060160	ISO transport protocol: Data transfer
060416	ISO transport protocol: Connection management
060928	ISO address claimed
065240	Commanded address
126208	Request group function
126996	Product information
126998	Configuration information
127237	Heading/track control
127245	Rudder
127250	Vessel heading
127258	Magnetic variance
127488	Engine parameters: Rapid update
127489	Engine parameters: Dynamic
127493	Transmission parameters: Dynamic
127505	Fluid level
127508	Battery status
128259	Speed: Water referenced
128267	Water depth
129025	Position: Rapid update
129026	COG and SOG: Rapid update
129029	GNSS position data
129283	Cross track error
129284	Navigation data
129539	GNSS DOPs
129540	GNSS satellites in view
130060	Label
130306	Wind data
130310	Environmental parameters (obsolete)
130311	Environmental parameters (obsolete)

PGN	Description
130312	Temperature (obsolete)

#### Transmit

PGN	Description
126464	Transmit and receive PGN list group function
126984	Alert response
127497	Trip parameters: Engine

#### Receive

PGN	Description
065030	Generator average basic AC quantities (GAAC)
126983	Alert
126985	Alert text
126987	Alert threshold
126988	Alert value
126992	System time
127251	Rate of turn
127252	Heave
127257	Attitude
127498	Engine parameters: Static
127503	AC input status (obsolete)
127504	AC output status (obsolete)
127506	DC detailed status
127507	Charger status
127509	Inverter status
128000	Nautical leeway angle
128275	Distance log
128780	Linear actuator
129038	AIS class A position report
129039	AIS class B position report
129040	AIS class B extended position report
129044	Datum
129285	Navigation: Route, waypoint information
129794	AIS class A static and voyage related data

PGN	Description
129798	AIS SAR aircraft position report
129799	Radio frequency/mode/power
129802	AIS safety-related broadcast message
129808	DSC call Information
129809	AIS class B "CS" static data report, part A
129810	AIS class B "CS" static data report, part B
130313	Humidity
130314	Actual pressure
130316	Temperature: Extended range
130569	Entertainment: Current file and status
130570	Entertainment: Library data file
130571	Entertainment: Library data group
130573	Entertainment: Supported source data
130574	Entertainment: Supported zone data
130576	Trim tab status
130577	Direction data

## NMEA 0183 Information

### Transmit

Sentence	Description
GPAPB	APB: Heading or track controller (autopilot) sentence "B"
GPBOD	BOD: Bearing (origin to destination)
GPBWC	BWC: Bearing and distance to waypoint
GPGGA	GGA: Global positioning system fix data
GPGLL	GLL: Geographic position (latitude and longitude)
GPGSA	GSA: GNSS DOP and active satellites
GPGSV	GSV: GNSS satellites in view
GPRMB	RMB: Recommended minimum navigation information
GPRMC	RMC: Recommended minimum specific GNSS data
GPRTE	RTE: Routes
GPVTG	VTG: Course over ground and ground speed
GPWPL	WPL: Waypoint location
GPXTE	XTE: Cross track error
PGRME	E: Estimated error
PGRMM	M: Map datum
PGRMZ	Z: Altitude
SDDBT	DBT: Depth below transducer
SDDPT	DPT: Depth
SDMTW	MTW: Water temperature
SDVHW	VHW: Water speed and heading



**Receive**

Sentence	Description
DPT	Depth
DBT	Depth below transducer
MTW	Water temperature
VHW	Water speed and heading
WPL	Waypoint location
DSC	Digital selective calling information
DSE	Expanded digital selective calling
HDG	Heading, deviation, and variation
HDM	Heading, magnetic
MWD	Wind direction and speed
MDA	Meteorological composite
MWV	Wind speed and angle
VDM	AIS VHF data-link message

You can purchase complete information about National Marine Electronics Association (NMEA) format and sentences from [www.nmea.org](http://www.nmea.org).

## J1939 Information

The chartplotter can receive J1939 sentences. The chartplotter cannot transmit over the J1939 network.

Description	PGN	SPN
Engine percent load at current speed	61443	92
Engine speed	61444	190
Engine manifold exhaust gas temperature - right manifold	65031	2433
Engine manifold exhaust gas temperature - left manifold	65031	2434
Engine auxiliary coolant	65172	
Active diagnostic trouble codes	65226	
Vehicle distance	65248	
Water in fuel indicator	65279	
Engine wait to start lamp	65252	1081
Engine over speed test	65252	2812
Engine air shutoff command status	65252	2813
Engine alarm output command status	65252	2814
Engine total hours of operation	65253	247
Navigation-based vehicle speed	65256	517
Engine fuel temperature 1	65262	174
Engine oil temperature 1	65262	175
Engine fuel delivery pressure	65263	94
Engine oil pressure	65263	100
Engine coolant pressure	65263	109
Engine coolant temperature	65263	110
Engine coolant level	65263	111
Engine fuel rate	65266	183
Engine average fuel economy	65266	185
Engine intake manifold #1 pressure	65270	102
Battery potential / power input 1	65271	168
Transmission oil temperature	65272	177
Transmission oil pressure	65272	127
Fuel level	65276	96
Engine oil filter differential pressure	65276	969

## 物質宣言

部件名称	有毒有害物质或元素									
	铅	汞	镉	六价铬	多溴联苯	多溴二苯醚	邻苯二甲酸二(2-乙基己)酯	邻苯二甲酸丁苄酯	邻苯二甲酸二丁酯	邻苯二甲酸二异丁酯
印刷电路板组件	✗	○	○	○	○	○	○	○	○	○
屏幕/背光	✗	○	○	○	○	○	○	○	○	○
金属零件	✗	○	○	○	○	○	○	○	○	○
电缆 电缆组件 连接器	✗	○	○	○	○	○	○	○	○	○
塑料和橡胶零件	○	○	○	○	○	○	○	○	○	○

本表格依据 SJ/T11364 的规定编制。

○: 代表此种部件的所有均质材料中所含的该种有害物质均低于 (GB/T26572) 规定的限量

✗: 代表此种部件所用的均质材料中, 至少有一类材料其所含的有害物质高于 (GB/T26572) 规定的限量

\* 该产品说明书应提供在环保使用期限和特殊标记的部分详细讲解产品的担保使用条件。



## 中国微功率无线电发射设备合规

- 一) 工作于 2402-2480 MHz 频段的 ANT 技术无线遥控设备, 使用频率: 2402-2480 MHz, 发射功率限值: 10 dBm(e.i.r.p), 频率容限: +/- 20 ppm
- 二) 不得擅自改变使用场景或使用条件、扩大发射频率范围、加大发射功率 (包括额外加装射频功率放大器), 不得擅自更改发射天线;
- 三) 不得对其他合法的无线电台 (站) 产生有害干扰, 也不得提出免受有害干扰保护;
- 四) 应当承受辐射射频能量的工业、科学及医疗 (ISM) 应用设备的干扰或其他合法的无线电台 (站) 干扰;
- 五) 如对其他合法的无线电台 (站) 产生有害干扰时, 应立即停止使用, 并采取措施消除干扰后方可继续使用;
- 六) 在航空器内和依据法律法规、国家有关规定、标准划设的射电天文台、气象雷达站、卫星地球站 (含测控、测距、接收、导航站) 等军民用无线电台 (站)、机场等的电磁环境保护区域内使用微功率设备, 应当遵守电磁环境保护及相关行业主管部门的规定;
- 七) 禁止在以机场跑道中心点为圆心、半径 5000 米的区域内使用各类模型遥控器;
- 八) 微功率设备使用时温度 -10-55°C 直流电压 10-35 Vdc。

## 联系信息

制造厂商: 台湾国际航电股份有限公司

销售厂商: 上海佳明航电企业管理有限公司

联络地址: 上海市徐汇区桂平路 391 号 (新漕河泾国际商务中心 A 座 37 层)

电话: 021-60737675

客服专线: 400-819-1899

## 連絡地址

製造銷售:台灣國際航電股份有限公司

聯絡地址:新北市汐止區樟樹二路 68 號

電話:(02)2642-8999

客服專線:(02)2642-9199

© 2023 Garmin Ltd. or its subsidiaries

Garmin®, the Garmin logo, and GPSMAP® are trademarks of Garmin Ltd. or its subsidiaries, registered in the USA and other countries. Garmin BlueNet™ is a trademark of Garmin Ltd. or its subsidiaries. These trademarks may not be used without the express permission of Garmin.

HDMI® is a registered trademark of HDMI Licensing, LLC. The microSD® logo is a trademark of SD-3C, LLC. NMEA®, NMEA 2000®, and the NMEA 2000 logo are registered trademarks of the National Marine Electronics Association. USB-C® is a registered trademark of USB Implementers Forum.

M/N: A04277 / B04277 / C04277 / D04277

航海電子設備