



## Printing a Mounting Template

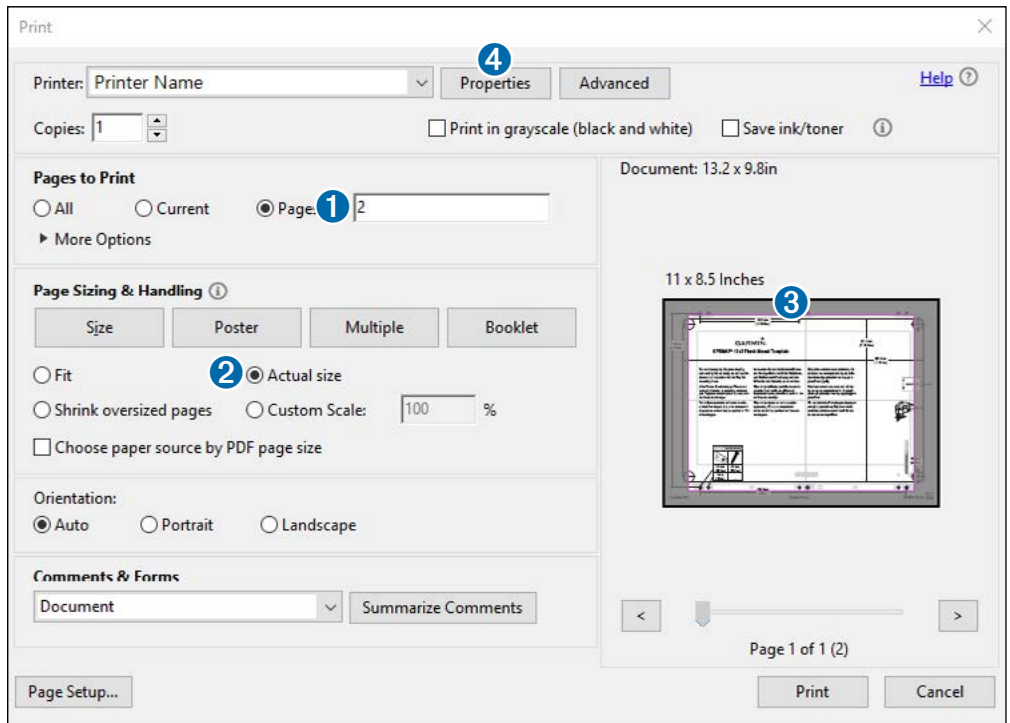
### NOTICE

It is not recommended that you print a mounting template on your own. Use the template that came in the product box.

If you do print the template, you must follow these instructions for printing a mounting template precisely. To print large templates, you need large enough paper and printer. Failure to have the correct sized paper and printer, or a failure to follow these instructions, may result in an incorrectly sized template and therefore an incorrect cutout (too large or too small) on the mounting surface of your boat.

**NOTE:** The options and locations of the options differ between Adobe Acrobat versions and other PDF viewing/printing applications. Be sure the scaling is 100% before printing.

- 1 Select **File > Print**.
- 2 Enter **2** in **Pages to Print** ①.
- 3 Select **Actual Size** ② for **Page Sizing & Handling**.
- 4 Verify that the paper size is larger than the template ③.  
In this example, the paper is not larger than the template.
- 5 If the paper size is not large enough, select **Properties** ④ and select a **Paper Size** that is larger than the template.
- 6 After printing the template, use a ruler to measure at least one dimension line to ensure the template printed to 100% scale.



### NOTICE

Garmin is not responsible for any damages or expenses resulting from a miscut mounting surface arising from a failure to follow these instructions.

① ②

① ②

② ①

② ①

6.6 mm  
(1/4 in.)

①

②

3.2 mm (1/8 in.) pilot hole for wood screws  
7.2 mm (9/32 in.) for nut plate  
Tap to M4 if no nut plate

3.6 mm (9/64 in.) for nut plate  
3,6 mm (9/64 po) pour la platine  
3,6 mm (9/64 poll.) per piastrina filettata

Trou d'implantation de 3,2 mm (1/8 po) pour vis à bois  
7,2 mm (9/32 po) pour la platine  
Agrandir le trou au diamètre M4 si vous n'avez pas de platine

3,6 mm (9/64 Zoll) für Anniemutter  
3,6 mm (9/64 in) para placa de tuerca  
3,6 mm (9/64 pol) para placa de retenção

Foro di riferimento da 3,2 mm (1/8 poll.) per viti in legno  
7,2 mm (9/32 poll.) per piastrina filettata  
Utilizzare M4 in assenza di piastrina filettata

3,6 mm (9/64 tommer) til møtrikskive  
3,6 mm (9/64 tomme) for mutterplate  
3,6 mm (9/64 tum) om det finns en mutterplatta

3,2-mm-Vorbohrung (1/8 Zoll) für Holzschrauben  
7,2 mm (9/32 Zoll) für Anniemutter  
Auf M4-Größe vernieten, falls keine Anniemutter verwendet wird

Orificio guia de 3,2 mm (1/8 in) para tornillos para madera  
7,2 mm (9/32 in) para placa de tuerca  
Roscar a M4 si no hay placa de tuerca

Orificio-piloto de 3,2 mm (1/8 pol) para parafusos de madeira  
7,2 mm (9/32 pol) para placa de retenção  
Rosqueie ao M4 caso nenhuma placa de retenção seja encontrada

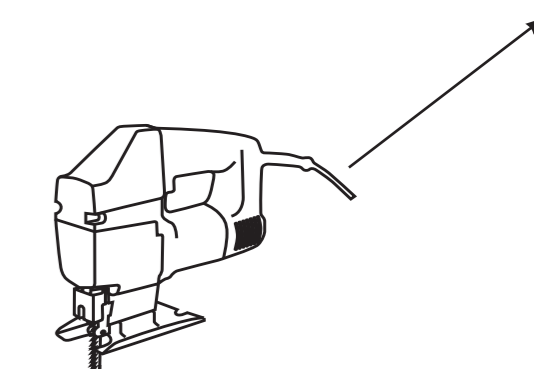
3,2 mm (1/8 tommer) forboringshul til træskruer  
7,2 mm (9/32 tommer) til møtrikskive  
Tilpas til M4, hvis der ikke er nogen møtrikskive

3,2 mm (1/8 tomme) styrehull for treskruer  
7,2 mm (9/32 tomme) for mutterplate  
Trykk videre til M4 hvis mutterplate mangler

3,2 mm (1/8 tum) rikthål för träskruvar  
7,2 mm (9/32 tum) om det finns en mutterplatta  
Tryck på M4 om det inte finns någon mutterplatta



### GPSMAP® 9x27 Series Flush Mount Template



**CUT ALONG THE INSIDE OF THE LINE  
DECOUPER A L'INTERIEUR DE LA LIGNE  
TAGLIARE LUNGO L'INTERNO DELLA LINEA  
AN DER INNENSEITE DER LINIE SCHNEIDEN  
CORTA A LO LARGO DE LA PARTE INTERIOR DE LA LÍNEA  
CORTE AO LONGO DA PARTE INTERNA DA LINHA  
SKÆR LANGS INDERSIDEN AF LINJEN  
SKJÆR LANGS INNSIDEN AV LINJEN  
SKÄR LÄNGS MED INSIDAN AV LINJEN**

406 mm  
(16 in.)

642 mm  
(25 1/4 in.)

① ②

① ②

② ①

② ①