

GARMIN®

LIVESCOPE™ ICE FISHING BUNDLE LI INSTALLATION INSTRUCTIONS

Important Safety Information

WARNING

See the *Important Safety and Product Information* guide in the chartplotter or fishfinder product box for product warnings and other important information.

To obtain best performance and to avoid possible damage, you must install this mount using these instructions. Read all installation instructions before proceeding with the installation. If you experience difficulty during the installation, go to support.garmin.com for more information.

Battery Information

Battery Warnings

WARNING

Failure to heed the following warnings could result in death, serious injury, or property damage.

A lithium-ion battery is used for this device.

If these guidelines are not followed, batteries may experience a shortened life span or may present a risk of damage to the device, fire, chemical burn, electrolyte leak, and/or injury.

- Use only the external battery charger provided by Garmin®.
- Only use the battery with Garmin approved products.
- KEEP BATTERIES AWAY FROM CHILDREN.
- Do not directly or indirectly short any wiring, terminals, or contacts of the battery.
- Do not disassemble, modify, remanufacture, puncture or damage the battery.
- Do not expose the battery to fire, explosion, or other hazard.
- Do not use a sharp object to remove or tamper with the battery or parts of the battery.
- Do not immerse or expose the battery to water or other liquids. Do not allow the battery to get wet.
- Do not store the battery in your vehicle or in high temperature areas. Do not leave the battery exposed to a heat source or in a high-temperature location, such as in the sun in an unattended vessel. To prevent the possibility of damage, remove the battery from the vessel or store it out of direct sunlight.
- Do not attempt to charge the battery outside of the following range: from 10° to 45°C (from 50° to 113°F).
- Do not operate (discharge) the battery outside of the following temperature range: from -20° to 60°C (from -4° to 140°F).
- When storing the battery for an extended time period, store within the following temperature range: from 20° to 40°C (from 68° to 104°F).
- Do not connect any cables to the battery that are not approved for this battery by Garmin.
- Only replace the battery with the correct replacement battery. Using other batteries presents a risk of fire or explosion. To purchase a replacement battery, see your Garmin dealer or buy.garmin.com.
- Do not leave the battery unattended while charging.
- Do not leave the battery charging near wood, carpet, paper, or other flammable materials.
- Check the battery connections for correct polarity before charging.
- Recharge the battery promptly after it is discharged, ideally within 24 hours. Charge battery every six months during long term storage to maintain peak performance.

- Do not operate or charge a battery that has been dropped or damaged in any way.

Charging the Battery

WARNING

Do not connect any cables to the battery that are not approved for this battery by Garmin. Only use the included all-in-one cable and charger to charge the battery.

Ensure that you connect the correct connector to the correct battery terminal. Damage to the battery or device, or bodily harm may occur if the device is improperly connected to the battery.

- 1 Remove the battery terminal covers.
- 2 Connect the red and black spade connectors from the all-in-one cable onto the corresponding battery terminals.
- 3 Remove the charger port cap on the all-in-one cable.
- 4 Connect the all-in-one cable to the charger.
- 5 Connect the charger to a power outlet.
- 6 Check the status of the LED on the charger.

LED Color	Status
Green	Outside of charging temperature range or fully charged
Red	Charging
Red blinking	NOTE: Battery connections may be reversed. Disconnect the charger from the wall outlet and battery power cable immediately. Correct the battery connections.

If the indicator LED is red, the battery is charging. It takes up to 8 hours to fully charge a fully discharged battery, depending on the internal battery temperature.

When the indicator LED is green, the battery is fully charged or outside of the charging temperature range. The battery charges when it is within the charging temperature range of 10° to 45°C (50° to 113°F).

NOTE: If the indicator LED is blinking red, disconnect the charger from the wall outlet and the battery power cable. Correct the battery connections by reconnecting the spade connectors to the correct battery terminals.

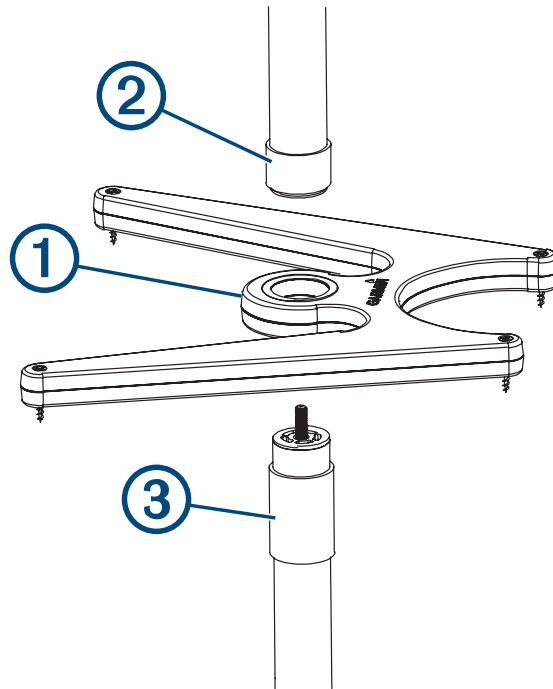
During long term storage, charge the battery every 6 months to maintain peak performance.

Assembling the Panoptix™ Ice Fishing Pole Mount

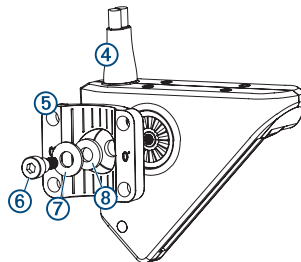
You need a Phillips screwdriver and the included 5 mm hex wrench to assemble the ice fishing pole mount and attach the transducer.

- 1 Insert the Phillips head sheet metal screws into the four corners of the ice mount base.
The screws protrude from the bottom of the base to help stabilize the mount when it is on the ice.
- 2 Locate the handle and the top pole segment.

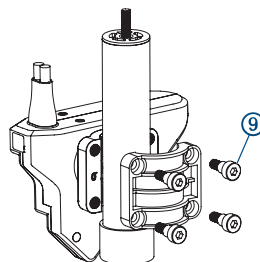
- 3 Place the base ① between the handle ② and the top pole ③, and screw them together.



- 4 Determine how many of the three middle pole segments you need to use, based on the thickness of the ice.
TIP: The top of the transducer must be below the bottom of the ice for best performance.
- 5 Screw together the needed segments, with the shortest segment on the bottom of the pole.
- 6 Use the included hex wrench to attach the transducer ④ to the bracket ⑤ with the shoulder screw ⑥, flat washer ⑦, and rubber washer ⑧.
- NOTE:** You must fully tighten the shoulder screw to secure the transducer to the bracket. The recommended torque applied to the shoulder screw is 2.5 lb-ft. (3.4 N-m).



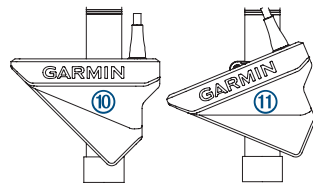
- 7 Using the hex wrench and the M6 screws ⑨, attach the two halves of the bracket around the pole.



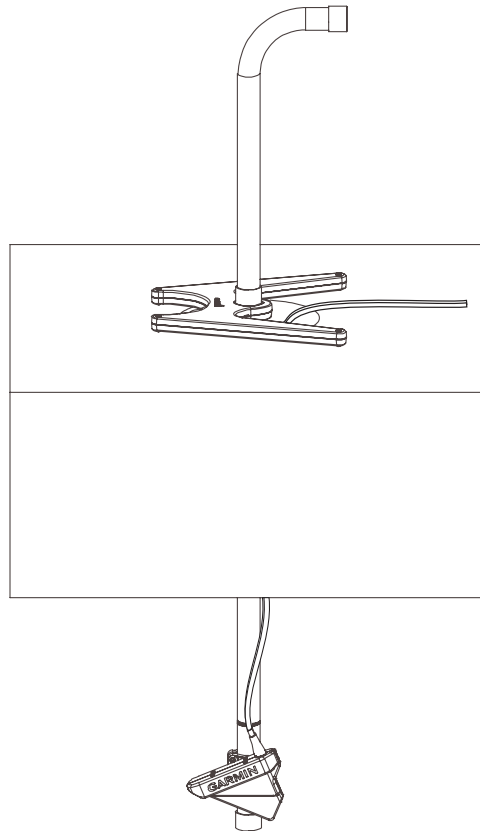
- 8 After mounting the transducer on the pole, use the hook and loop straps to secure the transducer cable to the pole.

9 Position the transducer for the desired view.

TIP: Turn the transducer one click to change the orientation from forward ⑩ to down ⑪.



10 Place the mount base around the hole in the ice.



11 Rotate the handle to aim the transducer.

Effective Forward and Down Range

NOTE: Water conditions and bottom conditions affect the depth and range performance of the transducer. You should use caution and observe the water depth and range, especially when your unit is operating in manual range or depth mode.

When operating in LiveVü Forward mode, the transducer has an effective forward range of between five and eight times the depth of the water. For example, in 3 m (10 ft.) of water, the effective forward range is between 15 and 24 m (between 50 and 80 ft.). Water conditions and bottom conditions affect the actual range.

When operating in LiveVü Down mode, the fore/aft range is equal to the depth of the water. For example, in 10 m (33 ft.) water depth, the screen will display 5 m (16 ft.) fore and 5 m (16 ft.) aft of the transducer. Deeper water provides a greater fore and aft range.

Specifications

Battery Specifications

Battery type	Lithium ion, 16.5 Ah
Battery runtime (approx.) at 100% screen brightness ¹	Up to 11.2 hrs. at 55°C (131°F) Up to 11.4 hrs. at 0°C (32°F) Up to 10.1 hrs. at -20°C (-4°F)
Battery runtime (approx.) at 50% screen brightness ¹	Up to 13.9 hrs. at 55°C (131°F) Up to 14.4 hrs. at 0°C (32°F) Up to 13.8 hrs. at -20°C (-4°F)
Operating temp. range	From -20° to 60°C (from -4° to 140°F)
Charging temp. range	From 10° to 45°C (from 50° to 113°F)
Storage temp. range	From 20° to 40°C (from 68° to 104°F)
Battery dimensions (L x W x H)	140 x 99 x 100 mm (5.51 x 3.90 x 3.93 in.)
Battery weight	3.33 lb (1.51 kg)

LVS32 Specifications

Dimensions (L x H x W)	136.4 x 96.5 x 44.5 mm (5.37 x 3.8 x 1.75 in.)
Weight (transducer only)	850 g (1.87 lb.)
Frequencies	From 530 to 1,100 kHz
Operating temperature	From 0 to 40°C (from 32 to 104°F)
Storage temperature	From -40 to 85°C (from -40 to 185°F)
Maximum depth/distance ²	61 m (200 ft.)
Field of view	Front to back: 135 degrees Side-to-side: 20 degrees

GLS 10 Sonar Module Specifications

Dimensions (W x H x D)	245 x 149 x 65 mm (9.7 x 5.9 x 2.6 in.)
Weight	1.96 kg (4.33 lbs.)
Operating temperature	From -15° to 70°C (from 5° to 158°F)
Storage temperature	From -40° to 85°C (from -40° to 185°F)
Power input	From 10 to 32 Vdc
Power usage	21 W typical, 24 mW min., 58 W max.
Compass-safe distance	178 mm (7 in.)
Data output	Garmin Marine Network

¹ The actual battery life of a fully charged battery can vary based on the device used, backlight brightness, temperature the battery is operated and stored in, age of the battery, and depth of the water.

² Dependent upon water salinity, bottom type, and other water conditions.

Open-Source Software License

To view the open-source software license(s) used in this product, go to developer.garmin.com/open-source/linux/.

© 2021 Garmin Ltd. or its subsidiaries

Garmin® and the Garmin logo are trademarks of Garmin Ltd. or its subsidiaries, registered in the USA and other countries. LiveScope™ and Panoptix™ are trademarks of Garmin Ltd. or its subsidiaries. These trademarks may not be used without the express permission of Garmin.