



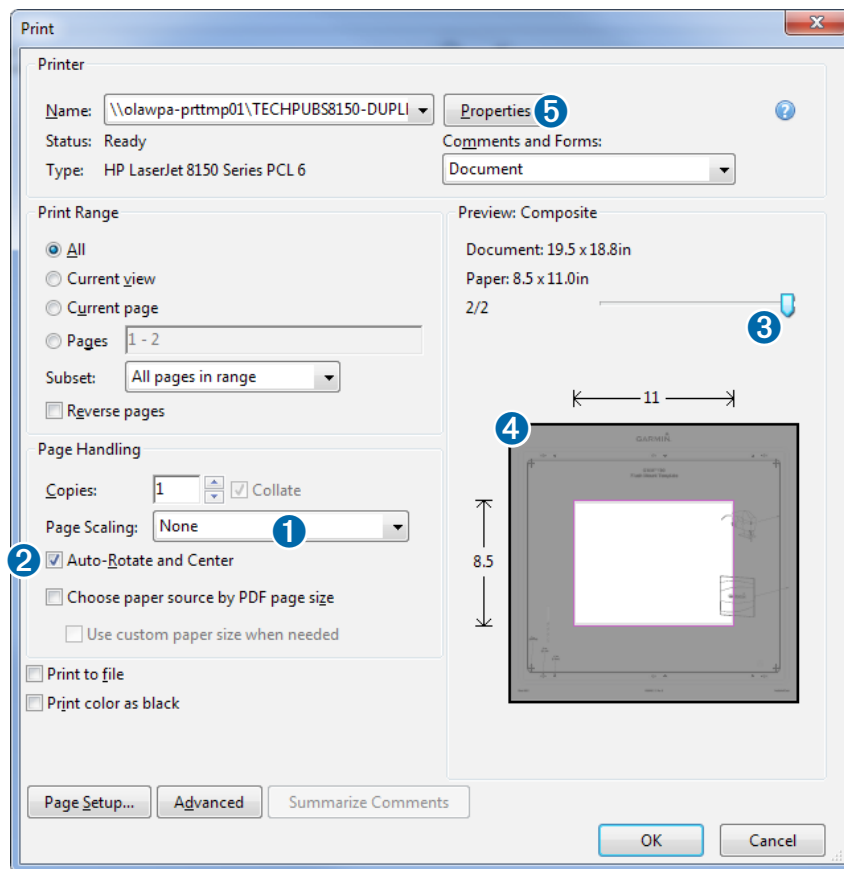
## Printing a Mounting Template

### NOTICE

It is not recommended that you print a mounting template on your own. Use the template that came in the product box.

If you do print the template, you must follow these instructions for printing a mounting template precisely. To print large templates, you need large enough paper and printer. Failure to have the correct sized paper and printer, or a failure to follow these instructions, may result in an incorrectly sized template and therefore an incorrect cutout (too large or too small) on the mounting surface of your boat.

- 1 Select **File > Print**.

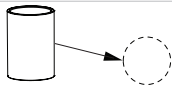


- 2 Select **None** for **Page Scaling** ①.
- 3 Ensure the check mark is next to **Auto-Rotate and Center** ②.
- 4 Drag the arrow ③ to the right, to view page 2 in the window below.
- 4 Verify that the paper size is larger than the template ④.  
In this example, the paper is not larger than the template.
- 5 If the paper size is not large enough, select **Properties** ⑤ and select a **Page Size** that is larger than the template.

### NOTICE

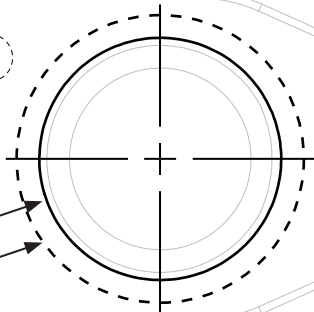
Garmin is not responsible for any damages or expenses resulting from a miscut mounting surface arising from a failure to follow these instructions.

**GARMIN**®



9 mm ( $\frac{3}{8}$ "  
13 mm ( $\frac{1}{2}$ "

32 mm ( $1 \frac{1}{4}$ "  
38 mm ( $1 \frac{1}{2}$ "



90 mm ( $3 \frac{9}{16}$ "

February 2019

190-02496-04\_0A



Printed in Taiwan