

Vortex smart T2180

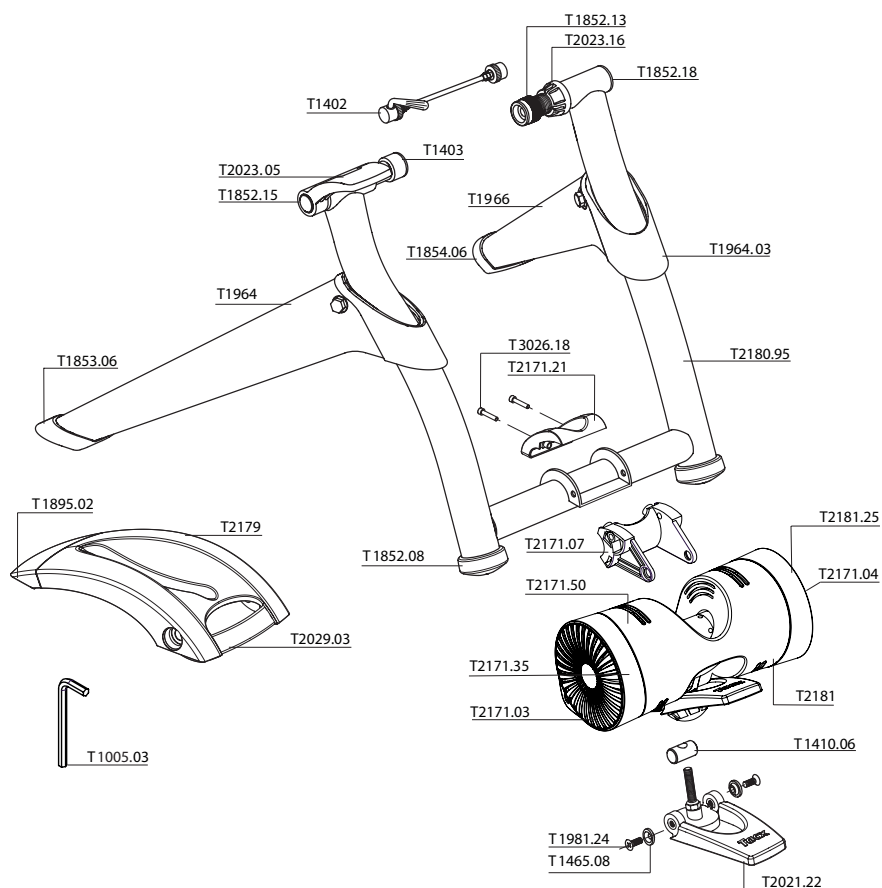
Tacx



T2180.50



T2177



- T1005.03** Allen Key 5 mm
- T1402** Quick Release, rear wheel
- T1403** Quick release holder
- T1410.06** Spacer, M8
- T1465.08** Washer for hinge
- T1852.08** Rubber foot rear frame
- T1852.13** Bolt, M20 (with quick release)
- T1852.15** Slide part, round 20mm
- T1852.18** Screen capsule, M20
- T1853.06** Rubber foot frontleg, left
- T1854.06** Rubber foot frontleg, right
- T1895.02** Rubber frontfoot
- T1964** Frontfoot complete, left
- T1964.03** Manchet frontleg Vortex
- T1966** Frontleg complete, right
- T1981.24** Screw, 5 x 14
- T2021.22** Quick release lever blue
- T2023.05** Lever, blauw
- T2023.16** Star knob, M20 x 2, blue
- T2029.03** Handlebar Skyliner, blue
- T2171.03** Endcap i-Vortex brake, blue
- T2171.04** Endcap Vortex smart elektro side
- T2171.07** Position block i-Vortex, grey
- T2171.21** Clamp piece Vortex Smart, grey
- T2171.35** Spool unit i-Vortex brake 230 Volt
- T2171.50** Bearingblock i-Vortex, grey
- T2177** Fitting kit i-Vortex
- T2179** Skyliner i-Vortex/Vortex Smart
- T2180.50** Vortex smart manual set
- T2180.95** Vortex Smart trainer frame
- T2181** Vortex Smart resistance unit
- T2181.25** Vortex Smart elektro unit
- T3026.18** Bolt, M6 x 30

T2180

60 x 50,5 x 19

11,3 kg

T1961.61

Country	Volt	Herz
Austria	230	50
Belgium	220	50
Croatia	220	50
Czech. Republic	220	50
Finland	230	50
France	230	50
Germany	220	50
Greece	220	50
Hungary	220	50
Luxumburg	220	50
Netherlands	220	50
Norway	230	50
Poland	230	50
Portugal	220	50
Slovenia	220	50
South Korea	230	50
Spain	220	50
Sweden	220	50
Turky	230	50

T1961.62

Country	Volt	Herz
England	230	50
Hong Kong	220	50
Ireland	220	50
Malysia	240	50
Singapore	230	50

T1961.66

Country	Volt	Herz
Israel	220	50

T1961.67

Country	Volt	Herz
South Africa	230	50

T1961.68

Country	Volt	Herz
Australia	240	50
Japan	100	50/60
New Sealand	220	50

T1961.60

Country	Volt	Herz
Canada	120	60
Japan	100	50/60
Puerto Rica	120	50
Taiwan	110	60
USA	115	60



T1961.61



T1961.62



T1961.66



T1961.67



T1961.68



T1961.60