

# GARMIN®

## EXTERNAL IRIDIUM® ANTENNA

### INSTALLATION INSTRUCTIONS

#### External Antenna Mounting Considerations

You can install the external antennas on your vehicle to get the most accurate position data for your navigation device. For best performance, consider these guidelines when selecting the antenna mounting location.

- To ensure the best reception, you should mount the antennas in a location that has a clear, unobstructed view of the sky in all directions.
- You should not mount the antennas near the engine or other sources of electromagnetic interference (EMI).
- You must mount the antennas at least 5 cm (2 in.) apart from each other.

#### Installing the External Iridium Antenna

##### ⚠ CAUTION

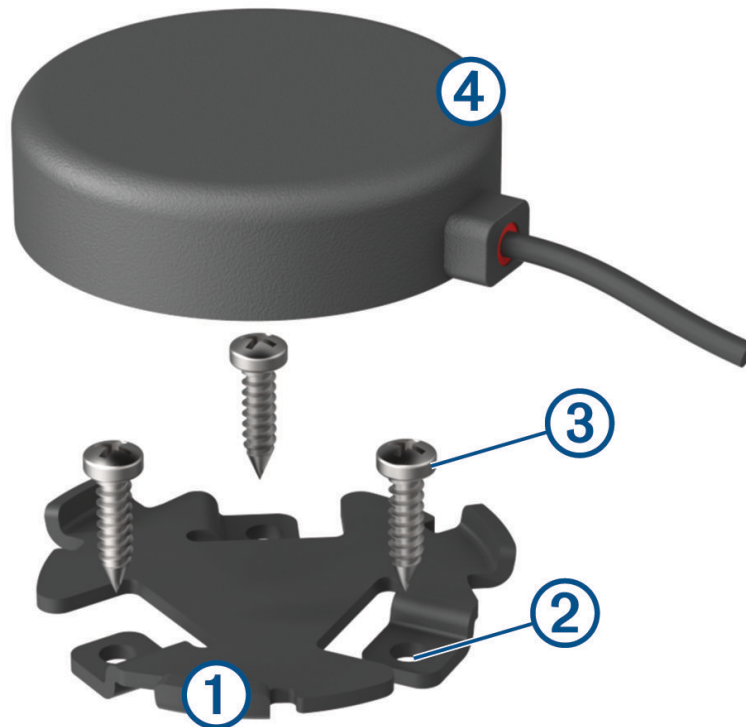
Always wear safety goggles, ear protection, and a dust mask when drilling, cutting, or sanding.

##### NOTICE

When drilling or cutting, always check what is on the opposite side of the surface to avoid damaging the vehicle.

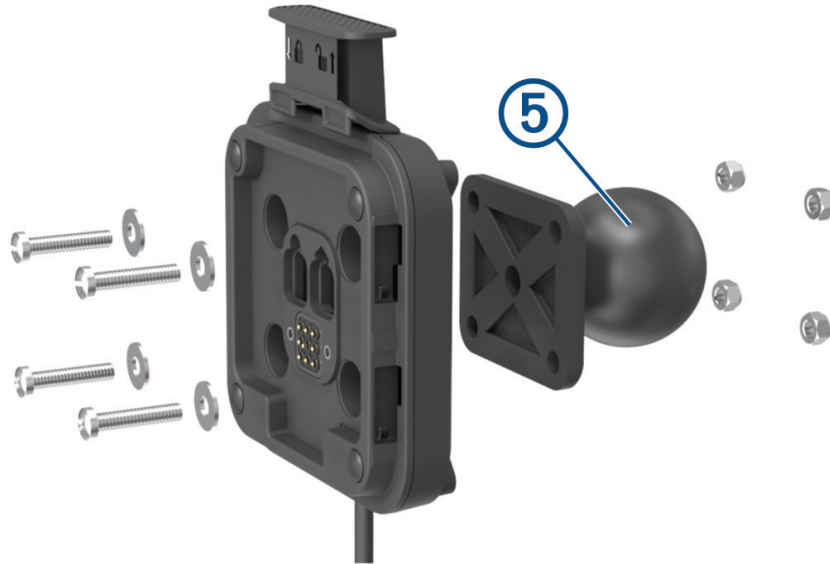
You can use the included bracket to mount the Iridium antenna to an external surface on your vehicle.

- 1 Using the antenna mounting bracket ① as a template, mark the pilot hole locations ②.



- 2 Drill the three 3.2 mm ( $\frac{1}{8}$  in.) pilot holes (optional).  
For some types of mounting material, drilling pilot holes is necessary. Do not drill through the mount.
- 3 Using the included screws ③, secure the mounting bracket to the mounting location.

- 4 Place the magnetic Iridium antenna ④ in the mounting bracket.
- 5 Route the antenna cable into the vehicle and to the mount.
- 6 Remove the 4 screws, washers, and nuts from the mount.
- 7 Remove the ball plate ⑤ and Group Ride Radio (if necessary) from the mount.



- 8 Insert the External Iridium Antenna connector ⑥ through the corresponding hole in the mount ⑦, and press the adapter to secure it to the mount.

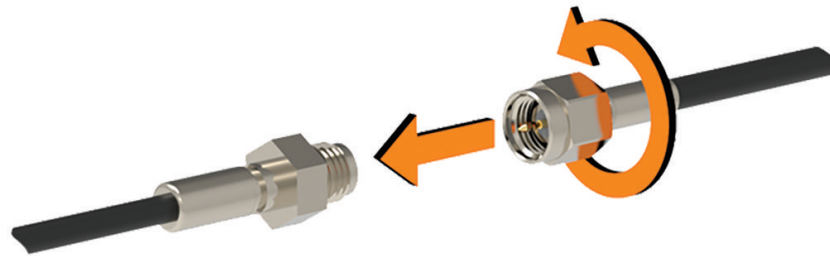


9 Using the included screw, secure the adapter to the mount from the inside of the mount.



10 Replace the mount on the ball plate, and secure the mount using the 4 existing screws, washers, and nuts.

11 Connect the External Iridium Antenna cable to the External Iridium Antenna connector on the mount.



12 Tighten the collar around the connected cables.

© 2022 Garmin Ltd. or its subsidiaries

Garmin® and the Garmin logo are trademarks of Garmin Ltd. or its subsidiaries, registered in the USA and other countries.

Iridium® is a registered trademark of Iridium Satellite LLC. Other trademarks and trade names are those of their respective owners.

