

GARMIN[®]

babyCam



Owner's Manual

All rights reserved. Under the copyright laws, this manual may not be copied, in whole or in part, without the written consent of Garmin. Garmin reserves the right to change or improve its products and to make changes in the content of this manual without obligation to notify any person or organization of such changes or improvements. Go to www.garmin.com for current updates and supplemental information concerning the use of this product.

Garmin® and the Garmin logo are trademarks of Garmin Ltd. or its subsidiaries, registered in the USA and other countries. Garmin babyCam™ is a trademark of Garmin Ltd. or its subsidiaries. These trademarks may not be used without the express permission of Garmin.

Table of Contents

Getting Started	1
Installing AA Batteries.....	1
Turning on the Camera.....	1
Installation	1
Headrest Styles.....	1
Choosing a Mounting Location.....	1
Standard Headrest Mount.....	1
Extension Arm Accessory.....	2
Adhesive Mount Accessory.....	3
Receiver Cable.....	3
Connecting the Optional Vehicle Power Cable.....	4
Viewing babyCam Video	4
Viewing babyCam Video Using Voice Commands.....	4
Multiple Cameras	4
Pairing a Garmin babyCam Camera with the Receiver Cable.....	4
Switching Cameras.....	4
Customizing the Device	4
babyCam Settings.....	4
Flipping and Mirroring the Video.....	5
Check Seat Reminder.....	5
Device Maintenance	5
Updating the Camera Software.....	5
Cleaning the Device.....	5
Device Information	5
Specifications.....	5
Troubleshooting	5
My navigation device does not show video from my camera.....	5
My camera does not stay in position.....	5
When should I replace the batteries?.....	5
I cannot tell whether the camera is on or off.....	5

Getting Started

⚠ WARNING

See the *Important Safety and Product Information* guide in the product box for product warnings and other important information.

When using your camera the first time, you should complete these tasks to set up the camera and get to know the basic features.

- 1 Install batteries in the camera ([Installing AA Batteries, page 1](#)).
- 2 Mount the camera on the vehicle headrest ([Installing the Camera on a Headrest, page 1](#)).
- 3 Update your compatible Garmin® navigation device to the latest software version.
Go to garmin.com/express for more information about updating software.
- 4 Connect the receiver cable to your navigation device and to vehicle power ([Installing the Receiver Cable, page 4](#)).
- 5 View the camera video on your navigation device ([Viewing babyCam Video, page 4](#)).
- 6 Adjust the camera position ([Adjusting the Camera Position Using the Standard Headrest Mount, page 2](#)), and change the camera settings ([Flipping and Mirroring the Video, page 5](#)) to capture the best view of your passenger.

Installing AA Batteries

The device operates on two AA batteries (not included). Use NiMH or lithium batteries for best results.

- 1 Press the indented area in the battery cover ①, and slide the battery cover away from the lens to remove it.



- 2 Insert two AA batteries, observing polarity.
The red LED illuminates briefly, and the camera turns on in low power mode.
- 3 Align the battery cover, and slide it toward the lens until it snaps into place.

Turning on the Camera

When you install batteries, the camera turns on automatically in low power mode and remains in this mode as long as the batteries supply power. This mode consumes very little power and allows the camera to remain connected to your compatible navigation device. The camera is intended to operate in this mode, and you cannot manually turn the camera on or off.

Installation

Headrest Styles

The installation procedure varies based on the style of headrest in your vehicle.

Standard Adjustable Headrest: A standard adjustable headrest has posts with adjustable height, and the padded headrest is relatively flat across the bottom.

You should use the standard mount to install the camera on a standard adjustable headrest ([Installing the Camera on a Headrest, page 1](#)).

Overhanging Adjustable Headrest: On an overhanging adjustable headrest, the front of the padded headrest

overhangs the top of the seat and may obscure the camera view even when the headrest is raised to the highest position.

You should attempt to install the camera on an overhanging adjustable headrest using the standard mount ([Installing the Camera on a Headrest, page 1](#)). If the overhanging portion of the headrest obscures the camera view, you can install the camera on an adjacent compatible headrest, or you can install it using the optional extension arm accessory ([Extension Arm Accessory, page 2](#)).

Non-Adjustable Removable Headrest: A non-adjustable removable headrest has posts that do not provide adjustable height, and the headrest is not locked into the seat when raised.

Do not attach the camera or any other object to the post of a non-adjustable removable headrest. You can install the camera on an adjacent compatible headrest, or you can mount it on a window using the optional adhesive mount accessory ([Adhesive Mount Accessory, page 3](#)).

Fixed Headrest: A fixed headrest is an extension of the seat back and cannot be raised or removed.

You cannot install the camera on a fixed headrest. You can install the camera on an adjacent compatible headrest, or you can mount it on a window using the optional adhesive mount accessory ([Adhesive Mount Accessory, page 3](#)).

Choosing a Mounting Location

You should install the camera in a location that provides a clear view of the passenger.

- To view a front-facing passenger, install the camera on the front seat headrest, facing back toward the passenger.
- To view a child in a rear-facing child safety seat, install the camera on the headrest of the child's vehicle seat, facing the interior of the child safety seat.
- If the seat does not have a compatible headrest, install the camera on the nearest post of an adjacent compatible headrest, and angle the camera toward the passenger.
- If no headrest post mounting locations provide a clear view of the passenger, install the camera using an optional accessory mount.

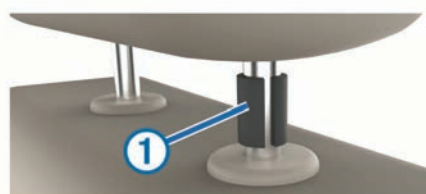
Standard Headrest Mount

The included standard headrest mount is designed to attach the camera to a headrest post in a vehicle seat. This mount accommodates most vehicles, but it may not be compatible with all headrests, including fixed or non-adjustable headrests, and some headrests that overhang the seat.

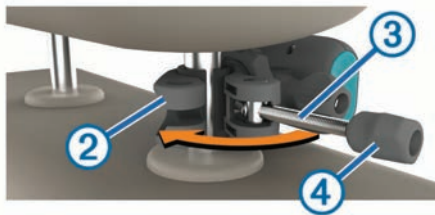
Installing the Camera on a Headrest

- 1 Raise the headrest from the vehicle seat to expose the headrest posts.
- 2 Place one rubber insert ① around the headrest post.

NOTE: Two sizes of rubber inserts are included. You should use the rubber insert that fits easily and tightly onto the post.



- 3 Place the clamp ② around the rubber insert.



You should place the clamp and insert as close to the headrest as possible without blocking the camera view by any portion of the headrest.

- 4 Close the bolt ③, and turn the knob ④ clockwise until the clamp is tight.

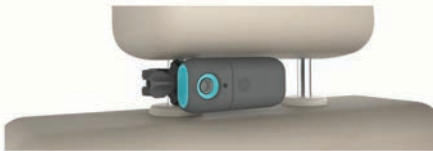
TIP: For larger headrest posts, you may need to loosen the knob to close the bolt.

The clamp should not slide on the post when tightened. If the clamp does slide, you should use a thicker rubber insert.

- 5 Lower the headrest until the camera is at the desired height.

NOTICE

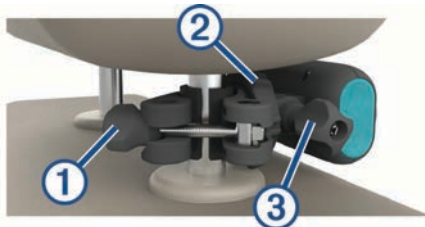
The headrest must lock into the seat after the camera is installed. If the headrest does not lock, the camera should not be installed on this headrest.



Adjusting the Camera Position Using the Standard Headrest Mount

You can adjust the camera angle and orientation to include the optimal area in the video frame. While adjusting the camera, it can be helpful to view the video feed on your navigation device for reference ([Viewing babyCam Video, page 4](#)).

- To point the camera left or right, loosen the clamp by turning the knob ① counterclockwise, and rotate the clamp on the headrest post.



- To level the camera orientation, loosen the threaded ring ② by turning it one full turn counterclockwise, and turn the camera until the subject is level in the video frame.
- To point the camera up or down, loosen the thumbscrew ③ by turning it counterclockwise, and tilt the camera up or down.

After you are finished adjusting the camera position, you should verify the knob, threaded ring, and thumbscrew are fully tightened.

Extension Arm Accessory

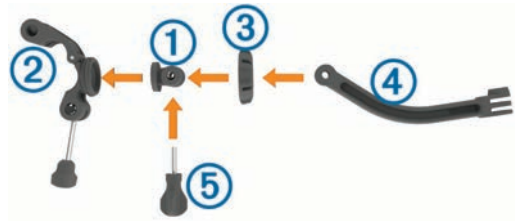
The optional extension arm accessory allows you to install the camera on an adjustable headrest that overhangs the top of the seat. The arm extends around the overhanging portion of the headrest and holds the camera in front of the headrest. Go to garmin.com/babycam to purchase mounting accessories.

Assembling the Mount and Extension Arm for an Overhanging Headrest

You should assemble the mount and extension arm before you mount the camera on the headrest.

- 1 Place the mounting connector ① on the clamp ②.

You should align the mounting connector as shown in the illustration.



- 2 Place the threaded ring ③ over the mounting base, and turn it clockwise to tighten.
- 3 Insert the extension arm ④ into the mounting base and secure it using the thumbscrew ⑤.

Mounting the Camera on an Overhanging Headrest

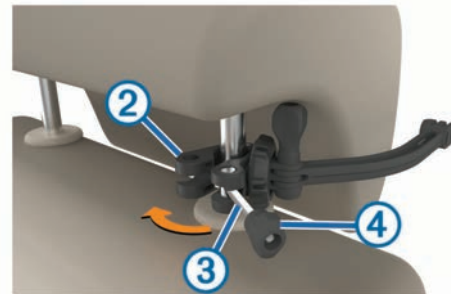
Before you mount the camera on an overhanging headrest, you should assemble the mount and extension arm.

- 1 Raise the headrest from the vehicle seat to expose the headrest posts.
- 2 Place one rubber insert ① around the headrest post.

NOTE: Two sizes of rubber inserts are included. You should use the rubber insert that fits easily and tightly onto the post.



- 3 Place the clamp ② around the rubber insert. You should place the clamp and insert close to the headrest.

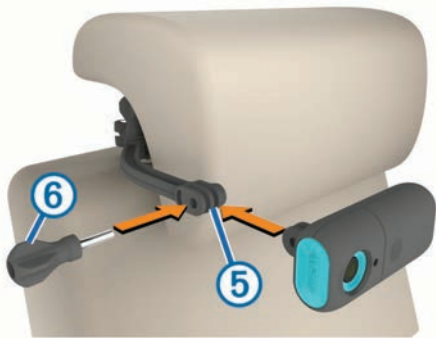


- 4 Close the bolt ③, and turn the knob ④ clockwise until the clamp is tight.

The clamp should not slide on the post when tightened. If the clamp does slide, you should use a thicker rubber insert.

TIP: You can adjust the depth of the extension arm by rotating the clamp on the post.

- 5 Place the camera onto the extension arm ⑤, and secure it using a thumbscrew ⑥.



- 6 Lower the headrest until the camera is at the desired height.

NOTICE

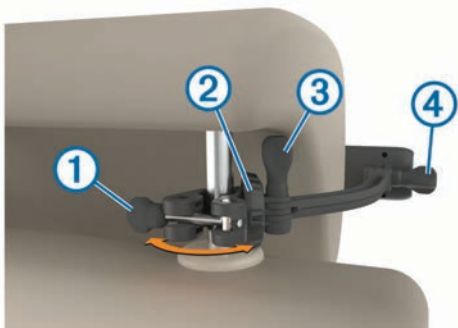
The headrest must lock into the seat after the camera is installed. If the headrest does not lock, the camera should not be installed on this headrest.



Adjusting the Camera Position Using the Extension Arm Accessory

You can adjust the camera angle and orientation to include the optimal area in the video frame. You can also adjust the depth of the extension arm to fit the thickness of your headrest. While adjusting the camera, it can be helpful to view the video feed using the Alignment option in the babyCam settings on your navigation device.

- To adjust the depth of the extension arm, loosen the clamp by turning the knob ① counterclockwise, and rotate the clamp on the headrest post.



To increase the depth to fit a thicker headrest, rotate the clamp counterclockwise. To decrease the depth to fit a thinner headrest, rotate the clamp clockwise.

- To level the camera orientation, loosen the threaded ring ② by turning it one full turn counterclockwise, and turn the camera until the subject is level in the video frame.
- To point the camera left or right, loosen the thumbscrew near the clamp ③ by turning it counterclockwise, and swing the extension arm left or right.

- To point the camera up or down, loosen the thumbscrew behind the camera ④ by turning it counterclockwise, and tilt the camera up or down.

After you are finished adjusting the camera position, you should verify the knob, threaded ring, and thumbscrews are fully tightened.

Adhesive Mount Accessory

The optional adhesive mount accessory allows you to mount the camera on a window. This can be useful when no headrest post mounting locations provide a clear view of your passenger. Go to garmin.com/babycam to purchase mounting accessories.

Installing the Camera Using the Adhesive Mount

⚠ CAUTION

Do not install the camera in a location that interferes with the driver's view of the road or environment.

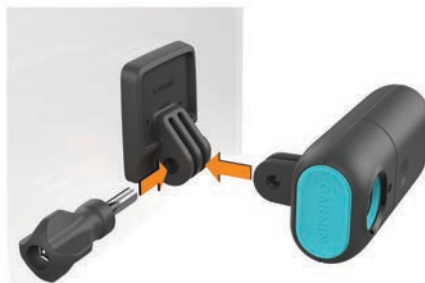
NOTICE

Do not install the adhesive mount on a window that can roll down. Rolling down a window with the adhesive mount installed can result in damage to the mount, camera, window assembly, or window motor.

- Clean the window using water or alcohol, and a lint-free cloth. The window must be free of dust, wax, oils, or coatings.
- Remove the protective film from the mount adhesive.
- Position the mount over the mounting location.

TIP: The adhesive is extremely sticky. Do not touch the adhesive to the window until the mount is properly positioned and aligned.
- Press the mount firmly onto the window, and maintain pressure for 30 seconds.
- Wait **24 hours** before installing the camera.

The adhesive takes 24 hours to bond properly to the window.
- After 24 hours, place the camera onto the mount and secure it with a thumbscrew.



Removing the Adhesive Mount

The adhesive mount is intended for a long-term installation and can be difficult to remove.

- Firmly grip the mount.
- Pull the mount up and away from the window or surface, applying steady pressure until the adhesive releases.
- Remove all remaining adhesive from the surface.

Receiver Cable

Your compatible Garmin navigation device receives a video signal from the babyCam camera using the receiver cable included with the camera. To view video from the camera, you must power your navigation device using this cable. If your navigation device and camera were purchased separately, the receiver cable replaces the power cable originally included with your navigation device.

The receiver cable and camera are paired at the factory and connect automatically. You can pair a camera manually with the receiver cable to add cameras or troubleshoot connection problems.

NOTE: The receiver cable includes a traffic receiver. If your navigation device has a traffic data subscription, the traffic features continue to function while using this cable.

Installing the Receiver Cable

Before you can install the receiver cable, you must update your compatible navigation device to the most recent software version. Your navigation device may not be compatible with the receiver cable without the most recent software. See your navigation device owner's manual or go to garmin.com/express for more information about updating the software.

The BC30 receiver cable is included in the box with your babyCam camera.

- 1 Plug the small end of the receiver cable into the mini-USB port on your navigation device or your navigation device mount.

See the owner's manual for your navigation device for more information about connecting the navigation device to vehicle power.

- 2 Plug the large end of the receiver cable into a vehicle power outlet.

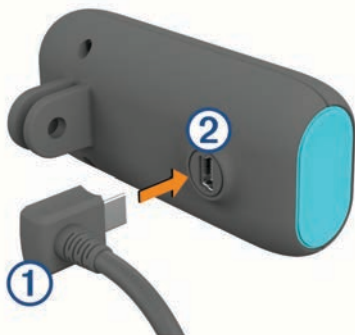
Connecting the Optional Vehicle Power Cable

⚠ CAUTION

Always remove the non-rechargeable batteries from the device before connecting it to an external power source. Although the device is designed to keep the batteries completely isolated, an internal part failure may result in thermal or chemical discharge that could cause property damage or personal injury.

The optional vehicle power cable accessory allows you to power your camera using a vehicle power outlet instead of batteries. Go to garmin.com/babycam to purchase accessories.

- 1 Remove the batteries from your camera.
- 2 Plug the small end of the vehicle power cable ① into the mini-USB port ② on the camera .



- 3 Plug the other end of the vehicle power cable into a vehicle power outlet.

Viewing babyCam Video

Before you can view video from the camera, you must provide power to the camera and connect the receiver cable to your navigation device and to vehicle power.

You can view live video from the babyCam camera on your compatible Garmin navigation device.

- 1 On the navigation device, select . appears when you view the main menu or the map.

The video appears on the navigation device screen for several seconds. The device returns to the previous page automatically after the camera timeout elapses.

- 2 Select to return to the previous page manually (optional).

Viewing babyCam Video Using Voice Commands

NOTE: This feature is available only for navigation device models that support voice command features for the selected device language.

You can show or hide the babyCam video using voice commands. This allows you to view your passenger without reaching for the navigation device.

- To view the babyCam video, from any page, say **Show Video**.
- To hide the babyCam video, say **Hide Video**.

Multiple Cameras

You can pair a maximum of four compatible Garmin wireless cameras with the receiver cable, including Garmin babyCam™ cameras and Garmin universal wireless backup cameras. For example, you can pair two Garmin babyCam cameras for two passengers, a backup camera installed on your vehicle, and a second backup camera installed on a trailer. From the camera view, you can switch between the video feeds from all paired cameras.

If your camera and receiver cable were packaged together, they come paired from the factory. If the camera and receiver cable are properly installed and you are not receiving video on your navigation device, you can pair the camera and the receiver cable again manually.

Pairing a Garmin babyCam Camera with the Receiver Cable

- 1 Select an option to verify the camera is not receiving power:
 - Remove the batteries from the camera.
 - Disconnect the vehicle power cable accessory from the camera.
- 2 Turn on the navigation device connected to the receiver cable.
- 3 From the navigation device, select **Settings > babyCam > Add New Camera**.
- 4 Follow the on-screen instructions.

Switching Cameras

You can cycle through the video feeds from all paired cameras.

From the camera view, select .

The video feed from the next camera appears, and the camera name appears at the top of the screen.

Customizing the Device

babyCam Settings

The babyCam settings allow you to manage paired Garmin babyCam cameras and camera settings. This menu appears on your navigation device only when the device is connected to a wireless camera receiver cable. Go to garmin.com/babycam to purchase a Garmin babyCam camera.

Select **Settings > babyCam**, and select a paired camera.

Power Settings: Allows you to set the amount of time the video appears on the screen.

Flip Video: Allows you to flip or mirror the video.

Alignment: Displays the babyCam video to help you align the camera.

Check Seat Reminder: Enables a reminder to check for rear seat passengers before exiting the vehicle.

Unpair: Removes the paired camera.

Rename: Allows you to rename the paired camera.

Flipping and Mirroring the Video

Depending on the camera orientation, the video on your navigation device may appear upside down or mirrored by default. You can flip the video vertically or mirror the video horizontally to correct the video.

- 1 Select **Settings** > **babyCam**.
- 2 Select a camera from the list.
- 3 Select **Flip Video**, and select an option.

Check Seat Reminder

The check seat reminder plays a tone and displays a message to remind you to check your vehicle for passengers before exiting. If you viewed the babyCam video during your drive, the most recent image from the camera also appears.

Device Maintenance

Updating the Camera Software

When you update your navigation device, the latest camera software is included in the update. The next time you connect your navigation device to the receiver cable, it updates your camera software wirelessly when a camera software update is available.

- 1 Update your navigation device to the latest software.
Go to garmin.com/express or see your navigation device owner's manual for information about updating your navigation device.
- 2 Verify the camera batteries are installed or the camera is connected to external power.
- 3 Connect the updated navigation device to the receiver cable, and plug the receiver cable into an active vehicle power outlet.

If a camera update is available, the navigation device sends the update to your camera, and a progress indicator appears on the navigation device.

Cleaning the Device

NOTICE

Do not use a dry cloth to clean the lens. Use of a dry cloth may damage the lens.

Avoid chemical cleaners and solvents that can damage plastic components.

- 1 Wipe the outer casing and lens with a soft, non-scratch cloth dampened with water or alcohol.
- 2 Wipe the outer casing dry, and allow the lens to air dry.

Device Information

Specifications

Camera input voltage	From 4.75 to 5.25 Vdc
Battery type	Two AA batteries (NiMH, alkaline, or lithium)
Camera temperature range	From -20° to 70°C (from -4° to 158°F)

Receiver cable temperature range	From -20° to 70°C (from -4° to 158°F)
Receiver cable input voltage	From 10 to 24 V
Receiver cable fuse	2 A, 250 V fast-blow

Troubleshooting

My navigation device does not show video from my camera

- Replace the batteries in the camera ([Installing AA Batteries, page 1](#)).
- Manually pair the camera and receiver cable ([Pairing a Garmin babyCam Camera with the Receiver Cable, page 4](#)).
- If you are using the optional vehicle power cable, verify the vehicle power outlet is providing power.

The LED on the vehicle power cable plug illuminates when it is receiving power.

My camera does not stay in position

- Verify the knob, thumbscrews, and threaded ring are fully tightened.
- Verify the thumbscrew that secures the joint between the mount and the camera is installed in the correct direction, as shown in the installation illustrations.

When it is installed correctly, the thumbscrew grip is on the opposite side of the mount from the threaded hole.

When should I replace the batteries?

The batteries can last 3 to 12 months with daily use. The battery life depends on several factors, including the power setting ([babyCam Settings, page 4](#)), the type of batteries used, and the ambient temperature.

A low battery power alert appears on your navigation device when the camera batteries are low. You can also use these options to verify manually whether the batteries are providing power.

- Check the batteries using an external battery tester.
- Remove the batteries from the camera, wait several seconds, and reinstall them in the camera.

The red power LED illuminates for about two seconds if the camera receives adequate power from the batteries. If the LED does not illuminate, or if it turns off in less than one second, you should change the batteries.

I cannot tell whether the camera is on or off

The device is on while it is receiving power from either the batteries or the optional vehicle power cable accessory. You cannot turn off the device.

- To conserve power, the power LED on the device is not illuminated during normal use.
- When you install batteries or connect the vehicle power cable, the red power LED illuminates briefly to indicate the camera is receiving power.

www.garmin.com/support



1800 235 822



+43 (0) 820 220230



+ 32 2 672 52 54



0800 770 4960



1-866-429-9296



+385 1 5508 272
+385 1 5508 271



+420 221 985466
+420 221 985465



+ 45 4810 5050



+ 358 9 6937 9758



+ 331 55 69 33 99



+ 39 02 36 699699



(+52) 001-855-792-7671



0800 427 652



0800 0233937



+47 815 69 555



00800 4412 454
+44 2380 662 915



+35 1214 447 460



+386 4 27 92 500



0861 GARMIN (427 646)
+27 (0)11 251 9800



+34 93 275 44 97



+ 46 7744 52020



+886 2 2642-9199 ext 2



0808 238 0000
+44 870 850 1242



+49 (0) 89 858364880
zum Ortstarif - Mobilfunk
kann abweichen



913-397-8200
1-800-800-1020

